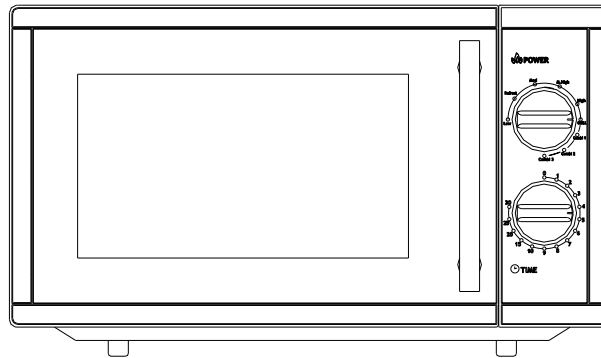


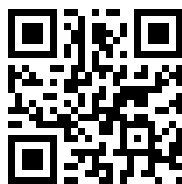
h.koenig

**INSTRUCTION MANUAL
NOTICE D'UTILISATION
BEDIENINGSANLEITUNG
GEBRUIKSAANWIJZING
INSTRUCCIONES
ISTRUZIONI**



VIO 7

**MICROWAVE OVEN
FOUR À MICRO-ONDES
MIKROWELLENOFEN
OVEN-MAGNETRON
HORNO MICROONDAS
FORNO A MICROONDE**



ENGLISH

PLEASE READ THESE INSTRUCTIONS CAREFULLY BEFORE INSTALLING AND OPERATING THE OVEN.

RECORD IN THE SPACE BELOW THE SERIAL NO. FOUND ON THE NAMEPLATE ON YOUR OVEN AND RETAIN THIS INFORMATION FOR FUTURE REFERENCE.
SERIAL NO.

PRECAUTIONS TO AVOID POSSIBLE EXPOSURE TO EXCESSIVE MICROWAVE ENERGY

1. DO NOT ATTEMPT TO OPERATE THIS OVEN WITH THE DOOR OPEN SINCE OPEN DOOR OPERATION CAN RESULT IN HARMFUL EXPOSURE TO MICROWAVE ENERGY. IT IS IMPORTANT NOT TO DEFEAT OR TAMPER WITH THE SAFETY INTERLOCKS.
2. DO NOT PLACE ANY OBJECT BETWEEN THE OVEN FRONT FACE AND THE DOOR OR ALLOW SOIL OR CLEANER RESIDUE TO ACCUMULATE ON SEALING SURFACES.
3. DO NOT OPERATE THE OVEN IF IT IS DAMAGED. IT IS PARTICULARLY IMPORTANT THAT THE OVEN DOOR CLOSE PROPERLY AND THAT THERE IS NO DAMAGE TO THE
 - A. DOOR (BENT),
 - B. HINGES AND LATCHES (BROKEN OR LOOSENED),
 - C. DOOR SEALS AND SEALING SURFACES.
4. THE OVEN SHOULD NOT BE ADJUSTED OR REPAIRED BY ANYONE EXCEPT PROPERLY QUALIFIED SERVICE PERSONNEL.

IMPORTANT SAFETY INSTRUCTIONS

WHEN USING ELECTRICAL APPLIANCE BASIC SAFETY PRECAUTIONS SHOULD BE FOLLOWED, INCLUDING THE FOLLOWING:

WARNING: TO REDUCE THE RISK OF BURNS, ELECTRIC SHOCK, FIRE, INJURY TO PERSONS OR EXPOSURE TO EXCESSIVE MICROWAVE ENERGY:

1. IF THE SUPPLY CORD IS DAMAGED, IT MUST BE REPLACED BY THE MANUFACTURER OR ITS SERVICE AGENT OR A SIMILARLY QUALIFIED PERSON IN ORDER TO AVOID A HAZARD.
2. **WARNING:** ONLY ALLOW CHILDREN TO USE THE OVEN WITHOUT SUPERVISION WHEN ADEQUATE INSTRUCTIONS HAVE BEEN GIVEN SO THAT THE CHILD IS ABLE TO USE THE OVEN IN A SAFE WAY AND UNDERSTANDS THE HAZARDS OF IMPROPER USE.
3. **WARNING:** WHEN THE APPLIANCE IS OPERATED IN THE COMBINATION MODE, CHILDREN SHOULD ONLY USE THE OVEN UNDER ADULT SUPERVISION DUE TO THE TEMPERATURES GENERATED.
4. WHEN HEATING FOOD IN PLASTIC OR PAPER CONTAINER, KEEP AN EYE ON THE OVEN DUE TO THE POSSIBILITY OF IGNITION.

5. IF SMOKE IS OBSERVED, SWITCH OFF OR UNPLUG THE APPLIANCE AND KEEP THE DOOR CLOSED IN ORDER TO STIFLE ANY FLAMES.
6. WARNING: LIQUID OR OTHER FOOD MUST NOT BE HEATED IN SEALED CONTAINERS SINCE THEY ARE LIABLE TO EXPLODE.
7. MICROWAVE HEATING OF BEVERAGE CAN RESULT IN DELAYED ERUPTIVE BOILING, THEREFORE CARE HAS TO BE TAKEN WHEN HANDLE THE CONTAINER.
8. WARNING:EGGS IN THEIR SHELL AND WHOLE HARD-BOILED EGGS SHOULD NOT BE HEATED IN MICROWAVE OVENS SINCE THEY MAY EXPLODE, EVEN AFTER MICROWAVE HEATING HAS ENDED.
9. WARNING:THE CONTENTS OF FEEDING BOTTLES AND BABY JARS SHOULD BE STIRRED OR SHAKEN AND THE TEMPERATURE SHOULD BE CHECKED BEFORE SERVING IN ORDER TO AVOID BURNS.
10. UTENSILS SHOULD BE CHECKED TO ENSURE THAT THEY ARE SUITABLE FOR USE IN MICROWAVE OVEN.
11. WARNING: IT IS HAZARDOUS FOR ANYONE OTHER THAN A TRAINED PERSON TO CARRY OUT ANY SERVICE OR REPAIR OPERATION ,WHICH INVOLVES THE REMOVAL OF ANY COVER ,WHICH GIVES PROTECTION AGAINST EXPOSURE TO MICROWAVE ENERGY.
12. THE OVEN SHOULD BE CLEANED REGULARLY AND ANY FOOD DEPOSITS REMOVED.
13. FAILURE TO MAINTAIN THE OVEN IN A CLEAN CONDITION COULD LEAD TO DETERIORATION OF THE SURFACE THAT COULD ADVERSELY AFFECT THE LIFE OF THE APPLIANCE AND POSSIBLY RESULT IN A HAZARDOUS SITUATION ,
14. WARNING – IF THE DOOR OR DOOR SEALS ARE DAMAGED, THE OVEN MUST NOT BE OPERATED UNTIL IT HAS BEEN REPAIRED BY A TRAINED PERSON.
15. “THIS PRODUCT IS A GROUP 2 CLASS B ISM EQUIPMENT. THE DEFINITION OF GROUP 2 WHICH CONTAINS ALL ISM (INDUSTRIAL, SCIENTIFIC AND MEDICAL) EQUIPMENT IN WHICH RADIO-FREQUENCY ENERGY IS INTENTIONALLY GENERATED AND/OR USED IN THE FORM OF ELECTROMAGNETIC RADIATION FOR THE TREATMENT OF MATERIAL, AND SPARK EROSION EQUIPMENT. FOR CLASS B EQUIPMENT IS EQUIPMENT SUITABLE FOR USE IN DOMESTIC ESTABLISHMENTS AND IN ESTABLISHMENTS DIRECTLY CONNECTED TO A LOW VOLTAGE POWER SUPPLY NETWORK WHICH SUPPLIES BUILDINGS USED FOR DOMESTIC PURPOSE”.
16. PLEASE DO NOT DISPOSE THIS APPLIANCE INTO THE DOMESTIC RUBBISH BIN, IT SHOULD BE DISPOSED TO THE PARTICULAR DISPOSAL CENTER PROVIDED BY THE MUNICIPALITIES.
17. THE MICROWAVE OVEN IS ONLY USED IN FREESTANDING.
18. WARNING:DO NOT INSTALL OVEN OVER A RANGE COOKTOP OR OTHER HEAT-PRODUCING APPLIANCE . IF INTALLED COULD BE DAMAGED AND THE WAREANTY WOULD BE VOLD .
19. THE ACCESSIBLE SURFACE MAY BE HOT DURING OPERATION .
20. THE MICROWAVE OVEN SHALL NOT BE PLACED IN A CABINET.
21. THE DOOR OR THE OUTER SURFACE MAY GET HOT WHEN THE APPLIANCE IS OPERATING.
22. THE TEMPERATURE OF ACCESSIBLE SURFACES MAY BE HIGH WHEN THE APPLIANCE IS OPERATING.

23. THIS APPLIANCE IS NOT INTENDED FOR USE BY PERSONS (INCLUDING CHILDREN) WITH REDUCED PHYSICAL SENSORY OR MENTAL CAPABILITIES, OR LACK OF EXPERIENCE AND KNOWLEDGE, UNLESS THEY HAVE BEEN GIVEN SUPERVISION OR INSTRUCTION CONCERNING USE OF THE APPLIANCE BY A PERSON RESPONSIBLE FOR THEIR SAFETY.
24. CHILDREN SHOULD BE SUPERVISED TO ENSURE THAT THEY DO NOT PLAY WITH THE APPLIANCE.
25. THE APPLIANCE SHALL BE PLACED AGAINST A WALL.
26. APPLIANCE IS NOT TO BE USED BY CHILDREN OR PERSONS WITH REDUCED PHYSICAL, SENSORY OR MENTAL CAPABILITIES, OR LACK OF EXPERIENCE AND KNOWLEDGE, UNLESS THEY HAVE BEEN GIVEN SUPERVISION OR INSTRUCTION
27. CHILDREN BEING SUPERVISED NOT TO PLAY WITH APPLIANCE
28. APPLIANCES NOT INTENDED TO BE OPERATED BY MEANS OF AN EXTERNAL TIMER OR SEPARATE REMOTE CONTROL SYSTEM
29. WARNING: IF THE DOOR OR DOOR SEALS ARE DAMAGED, THE OVEN MUST NOT BE OPERATED UNTIL IT HAS BEEN REPAIRED BY A COMPETENT PERSON
30. THE OVEN SHOULD BE CLEANED REGULARLY AND ANY FOOD DEPOSITS REMOVED
31. FAILURE TO MAINTAIN THE OVEN IN A CLEAN CONDITION COULD LEAD TO DETERIORATION OF THE SURFACE THAT COULD ADVERSELY AFFECT THE LIFE OF THE APPLIANCE AND POSSIBLY RESULT IN A HAZARDOUS SITUATION
32. APPLIANCES ARE NOT INTENDED TO BE OPERATED BY MEANS OF AN EXTERNAL TIMER OR SEPARATE REMOTE-CONTROL SYSTEM.
33. THE MICROWAVE OVEN IS FOR HOUSEHOLD USE ONLY AND NOT FOR COMMERCIAL USE.
34. NEVER REMOVE THE DISTANCE HOLDER IN THE BACK OR ON THE SIDES, AS IT ENSURES A MINIMUM DISTANCE FROM THE WALL FOR AIR CIRCULATION.
35. PLEASE SECURE THE TURN TABLE BEFORE YOU MOVE THE APPLIANCE TO AVOID DAMAGES.
36. CAUTION: IT IS DANGEROUS TO REPAIR OR MAINTAIN THE APPLIANCE BY NO OTHER THAN A SPECIALIST BECAUSE UNDER THESE CIRCUMSTANCES THE COVER HAVE TO BE REMOVED WHICH ASSURES PROTECTION AGAINST MICROWAVE RADIATION. THIS APPLIES TO CHANGING THE POWER CORD OR THE LIGHTING AS WELL. SEND THE APPLIANCE IN THESE CASES TO OUR SERVICE CENTRE.
37. THE MICROWAVE OVEN IS INTENDED FOR DEFROSTING, COOKING AND STEAMING OF FOOD ONLY.
38. USE GLOVES IF YOU REMOVE ANY HEATED FOOD.

39. Caution! Steam will escape, when opening lids or wrapping foil.

40. This appliance can be used by children aged from 8 years and above and persons with reduced physical, sensory or mental capabilities or lack of experience and knowledge if they have been given supervision or instruction concerning use of the appliance in a safe way and understand the hazards involved. Children shall not play with the appliance. Cleaning and user maintenance shall not be made by children unless they are aged from 8 years and above and supervised.

41. If smoke is emitted, switch off or unplug the appliance and keep the door closed in order to stifle

SPECIFICATIONS

POWER CONSUMPTION:	230V-240V~50HZ, 1400W(MICROWAVE)
	1000W(GRILL)
RATED MICROWAVE POWER OUTPUT:	900W
OPERATION FREQUENCY:	2450MHZ
OUTSIDE DIMENSIONS:	281MM(H)×483MM(W)×398MM(D)
OVEN CAVITY DIMENSIONS:	220MM(H)×340MM(W)×320MM(D)
OVEN CAPACITY:	23 LITERS
COOKING UNIFORMITY:	TURNTABLE SYSTEM
NET WEIGHT:	APPROX.14.1 KG

INSTALLATION

1. MAKE SURE THAT ALL THE PACKING MATERIALS ARE REMOVED FROM THE INSIDE OF THE DOOR.
2. WARNING: CHECK THE OVEN FOR ANY DAMAGE, SUCH AS MISALIGNED OR BENT DOOR, DAMAGED DOOR SEALS AND SEALING SURFACE, BROKEN OR LOOSE DOOR HINGES AND LATCHES AND DENTS INSIDE THE CAVITY OR ON THE DOOR. IF THERE IS ANY DAMAGE, DO NOT OPERATE THE OVEN AND CONTACT QUALIFIED SERVICE PERSONNEL.
3. THIS MICROWAVE OVEN MUST BE PLACED ON A FLAT, STABLE SURFACE TO HOLD ITS WEIGHT AND THE HEAVIEST FOOD LIKELY TO BE COOKED IN THE OVEN.
4. DO NOT PLACE THE OVEN WHERE HEAT, MOISTURE, OR HIGH HUMIDITY ARE GENERATED, OR NEAR COMBUSTIBLE MATERIALS.
5. FOR CORRECT OPERATION, THE OVEN MUST HAVE SUFFICIENT AIRFLOW. ALLOW 20CM OF SPACE ABOVE THE OVEN, 10CM AT BACK AND 5CM AT BOTH SIDES. DO NOT COVER OR BLOCK ANY OPENINGS ON THE APPLIANCE. DO NOT REMOVE FEET.
6. DO NOT OPERATE THE OVEN WITHOUT GLASS TRAY, ROLLER SUPPORT, AND SHAFT IN THEIR PROPER POSITIONS.
7. MAKE SURE THAT THE POWER SUPPLY CORD IS UNDAMAGED AND DOES NOT RUN UNDER THE OVEN OR OVER ANY HOT OR SHARP SURFACE.
8. THE SOCKET MUST BE READILY ACCESSIBLE SO THAT IT CAN BE EASILY

RADIO INTERFERENCE

UNPLUGGED IN AN EMERGENCY. OPERATION OF THE MICROWAVE OVEN CAN CAUSE INTERFERENCE TO YOUR RADIO, TV, OR SIMILAR EQUIPMENT.

WHEN THERE IS INTERFERENCE, IT MAY BE REDUCED OR ELIMINATED BY TAKING THE FOLLOWING MEASURES:

1. CLEAN DOOR AND SEALING SURFACE OF THE OVEN.
2. REORIENT THE RECEIVING ANTENNA

DO NOT USE THE OVEN OUTDOORS. OF RADIO OR TELEVISION.

3. RELOCATE THE MICROWAVE OVEN WITH RESPECT TO THE RECEIVER.
4. MOVE THE MICROWAVE OVEN AWAY FROM THE RECEIVER.
5. PLUG THE MICROWAVE OVEN INTO A DIFFERENT OUTLET SO THAT MICROWAVE OVEN AND RECEIVER ARE ON DIFFERENT BRANCH CIRCUITS.

MICROWAVE COOKING PRINCIPLES

1. ARRANGE FOOD CAREFULLY. PLACE THICKEST AREAS TOWARDS OUTSIDE OF DISH.
2. WATCH COOKING TIME. COOK FOR THE SHORTEST AMOUNT OF TIME INDICATED AND ADD MORE AS NEEDED. FOOD SEVERELY OVERCOOKED CAN SMOKE OR IGNITE.
3. COVER FOODS WHILE COOKING. COVERS PREVENT SPATTERING AND HELP FOODS TO COOK EVENLY.
4. TURN FOODS OVER ONCE DURING MICROWAVE COOKING TO SPEED COOKING OF SUCH FOODS AS CHICKEN AND HAMBURGERS. LARGE ITEMS LIKE ROASTS MUST BE TURNED OVER AT LEAST ONCE.
5. REARRANGE FOODS SUCH AS MEATBALLS HALFWAY THROUGH COOKING BOTH FROM TOP TO BOTTOM AND FROM THE CENTER OF THE DISH TO THE OUTSIDE.

BEFORE YOU CALL FOR SERVICE

GROUNDING INSTRUCTIONS

THIS APPLIANCE MUST BE GROUNDED. THIS OVEN IS EQUIPPED WITH A CORD HAVING A GROUNDING WIRE WITH A GROUNDING PLUG. IT MUST BE PLUGGED INTO A WALL RECEPTACLE THAT IS PROPERLY INSTALLED AND GROUNDED. IN THE EVENT OF AN ELECTRICAL SHORT CIRCUIT, GROUNDING REDUCES RISK OF ELECTRIC SHOCK BY PROVIDING AN ESCAPE WIRE FOR THE ELECTRIC CURRENT. IT IS RECOMMENDED THAT A SEPARATE CIRCUIT SERVING ONLY THE OVEN BE PROVIDED. USING A HIGH VOLTAGE IS DANGEROUS AND MAY RESULT IN A FIRE OR OTHER ACCIDENT CAUSING OVEN DAMAGE.

WARNING IMPROPER USE OF THE GROUNDING PLUG CAN RESULT IN A RISK OF ELECTRIC SHOCK.

NOTE:

1. IF YOU HAVE ANY QUESTIONS ABOUT THE GROUNDING OR ELECTRICAL INSTRUCTIONS, CONSULT A QUALIFIED ELECTRICIAN OR SERVICE PERSON.
2. NEITHER THE MANUFACTURER NOR THE DEALER CAN ACCEPT ANY LIABILITY FOR DAMAGE TO THE OVEN OR PERSONAL INJURY RESULTING FROM FAILURE TO OBSERVE THE ELECTRICAL CONNECTION PROCEDURES.

THE WIRES IN THIS CABLE MAIN ARE COLORED IN ACCORDANCE WITH THE FOLLOWING CODE:

Green and Yellow = EARTH
Blue = NEUTRAL
Brown = LIVE

IF THE OVEN FAILS TO OPERATE:

1. CHECK TO ENSURE THAT THE OVEN IS PLUGGED IN SECURELY. IF IT IS NOT, REMOVE THE PLUG FROM THE OUTLET, WAIT 10 SECONDS, AND PLUG IT IN AGAIN SECURELY.
2. CHECK FOR A BLOWN CIRCUIT FUSE OR A TRIPPED MAIN CIRCUIT BREAKER. IF THESE SEEM TO BE OPERATING PROPERLY, TEST THE OUTLET WITH

ANOTHER APPLIANCE.

3. CHECK TO ENSURE THAT THE CONTROL PANEL IS PROGRAMMED CORRECTLY AND THE TIMER IS SET.
4. CHECK TO ENSURE THAT THE DOOR IS SECURELY CLOSED ENGAGING THE DOOR SAFETY LOCK SYSTEM. OTHERWISE, THE MICROWAVE ENERGY WILL NOT FLOW INTO THE OVEN.

IF NONE OF THE ABOVE RECTIFIES THE SITUATION, THEN CONTACT A QUALIFIED TECHNICIAN. DO NOT TRY TO ADJUST OR REPAIR THE OVEN YOURSELF.

UTENSILS GUIDE

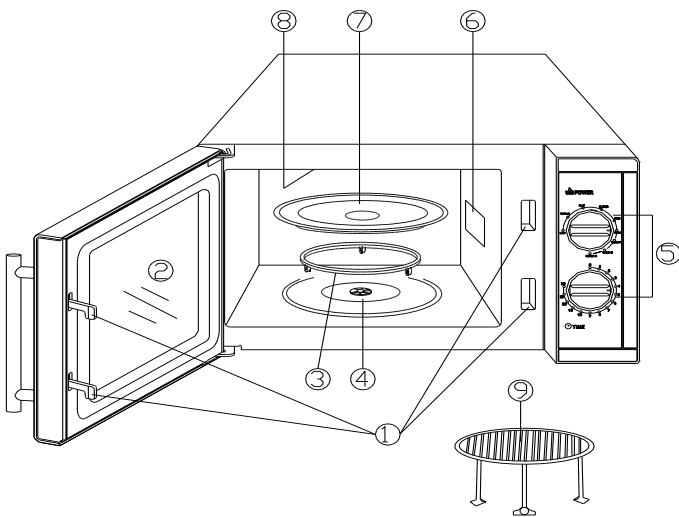
1. THE IDEAL MATERIAL FOR A MICROWAVE UTENSIL IS TRANSPARENT TO MICROWAVE, IT ALLOWS ENERGY TO PASS THROUGH THE CONTAINER AND HEAT THE FOOD.
2. MICROWAVE CANNOT PENETRATE METAL, SO METAL UTENSILS OR DISHES WITH METALLIC TRIM SHOULD NOT BE USED.
3. DO NOT USE RECYCLED PAPER PRODUCTS WHEN MICROWAVE COOKING, AS THEY MAY CONTAIN SMALL METAL FRAGMENTS WHICH MAY CAUSE SPARKS AND/OR FIRES.
4. ROUND /OVAL DISHES RATHER THAN SQUARE/OBLONG ONES ARE RECOMMEND, AS FOOD IN CORNERS TENDS TO OVERCOOK.
5. NARROW STRIPS OF ALUMINUM FOIL MAY BE USED TO PREVENT OVERCOOKING OF EXPOSED AREAS. BUT BE CAREFUL DON'T USE TOO MUCH AND KEEP A DISTANCE OF 1 INCH

(2.54CM) BETWEEN FOIL AND CAVITY.

THE LIST BELOW IS A GENERAL GUIDE TO HELP YOU SELECT THE CORRECT UTENSILS.

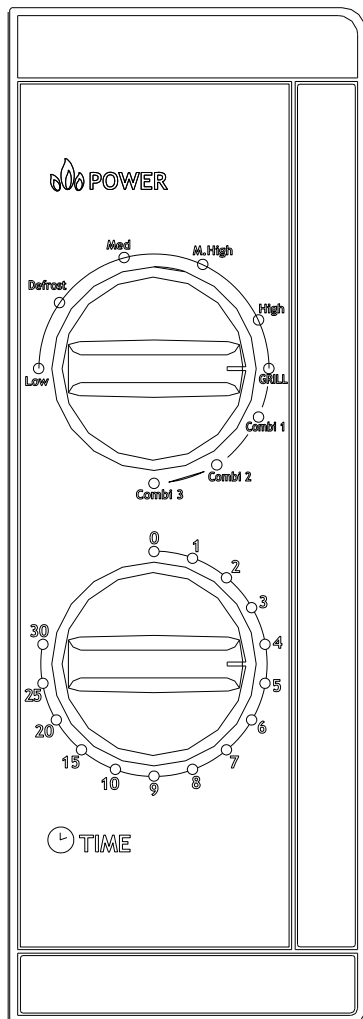
COOKWARE	MICROWAVE	GRILL	COMBINATION
HEAT-RESISTANT GLASS	YES	YES	YES
NON HEAT-RESISTANT GLASS	NO	NO	NO
HEAT-RESISTANT CERAMICS	YES	YES	YES
MICROWAVE-SAFE PLASTIC DISH	YES	NO	NO
KITCHEN PAPER	YES	NO	NO
METAL TRAY	NO	YES	NO
METAL RACK	NO	YES	NO
ALUMINUM FOIL & FOIL CONTAINERS	NO	YES	NO

PART NAMES



1. DOOR SAFETY LOCK
2. SYSTEM
3. OVEN WINDOW
4. ROLLER RING
5. SHAFT
6. CONTROL PANEL
7. WAVE GUIDE
8. GLASS TRAY
9. GRILL HEATER

CONTROL PANEL



METAL RACK

THE CONTROL PANEL CONSISTS OF TWO FUNCTION OPERATORS. ONE IS A TIMER KNOB, AND ANOTHER A POWER KNOB.

POWER/ACTION SELECTOR

YOU USE THIS OPERATOR KNOB TO CHOOSE A COOKING POWER LEVEL. IT IS THE FIRST STEP TO START A COOKING SESSION.

OFFERS VISUAL TIMING SETTINGS AT EASY TURN OF YOUR THUMB TO SELECT A DESIRED COOKING TIME UP TO 30 MINUTES PER COOKING SESSION.

MICROWAVE COOKING

FOR PURE MICROWAVE COOKING, THERE ARE FIVE POWER LEVELS FROM WHICH TO CHOOSE ONE AS BEST FIT TO DO THE JOB AT HAND.

	DESCRIPTI ON	MICROWAVE POWER OUTPUT
1	LOW	18%
2	DEFROST	36%
3	MEDIUM	58%
4	M. HIGH	81%
5	HIGH	100%

Power level increases with the knob turning clockwise. The power levels can be classified as the following:

Grill

WITH THE KNOB TURNING CLOCKWISE PASSING THE HIGHEST MICROWAVE POWER LEVEL, THE OVEN COME TO THE GRILL COOKING FUNCTION WHICH IS PARTICULARLY USEFUL FOR THIN SLICES OF MEAT, STEAKS, CHOPS, KEBABS, SAUSAGES OR PIECES OF CHICKEN. IT IS ALSO SUITABLE FOR COOKING HOT SANDWICHES AND AU GRAIN DISHES.

COMBINATION COOKING

BY ITS NAME, THIS COOKING OPERATION COMBINES MICROWAVE POWER WITH THAT OF GRILL COOKING. THE OPERATION IS CATEGORIZED INTO THREE LEVELS WITH DIFFERENT COMBINATION POWER SETTINGS AS YOU CAN SEE FROM THE FOLLOWING TABLE. THESE ARE PARTICULARLY SUITABLE FOR CERTAIN FOODS AND CULINARY OPERATIONS. AS WELL AS FOR KEEPING THE MUCH DESIRED CRISPNESS OF CERTAIN FOODS.

THE FOLLOWING TABLE SHOWS 3 DIFFERENT POWER SETTINGS FOR COMBINATION PROGRAMS.

PROGRAM	COOKING TIME	
	MICROWAVE	GRILL
GRILL	/	100% (900 W)
COMBI.1	30%	70%
COMBI.2	49%	51%
COMBI.3	67%	33%

OPERATION

TO SET A COOKING PROGRAM

1. PLACE FOOD IN OVEN AND CLOSE THE DOOR.
2. TURN POWER/ACTION SELECTOR TO SELECT A POWER LEVEL OR COOKING FUNCTION.
3. USE TIMER KNOB TO SET A COOKING TIME

NOTE:

AS SOON AS THE TIMER IS TURNED, OVEN STARTS COOKING.

WHEN SELECTING TIME FOR LESS THAN 2 MINUTES, TURN TIMER PAST 2 MINUTES AND THEN RETURN TO THE CORRECT TIME.

CAUTION: ALWAYS RETURN TIMER BACK TO ZERO POSITION IF FOOD IS REMOVED FROM OVEN BEFORE THE SET COOKING TIME IS COMPLETE OR WHEN OVEN IS NOT IN USE. TO STOP OVEN DURING COOKING PROCESS, PUSH THE DOOR RELEASE BUTTON OR OPEN THE DOOR BY THE HANDLE.

CLEANING AND CARE

1. TURN OFF THE OVEN AND REMOVE THE POWER PLUG FROM THE WALL SOCKET BEFORE CLEANING.
2. KEEP THE INSIDE OF THE OVEN CLEAN. WHEN FOOD SPLATTERS OR SPILLED LIQUIDS ADHERE TO OVEN WALLS, WIPE WITH A DAMP CLOTH. MILD DETERGENT MAY BE USED IF THE OVEN GETS VERY DIRTY. AVOID THE USE OF SPRAY AND OTHER HARSH CLEANERS AS THEY MAY STAIN, STREAK OR DULL THE DOOR SURFACE.
3. THE OUTSIDE SURFACES SHOULD BE CLEANED WITH A DAMP CLOTH. TO PREVENT DAMAGE TO THE OPERATING PARTS INSIDE THE OVEN, WATER SHOULD NOT BE ALLOWED TO SEEP INTO THE VENTILATION OPENINGS.
4. WIPE THE DOOR AND WINDOW ON BOTH SIDES, THE DOOR SEALS AND ADJACENT PARTS FREQUENTLY WITH A DAMP CLOTH TO REMOVE ANY SPILLS OR SPATTERS. DO NOT USE ABRASIVE CLEANER.
5. DO NOT ALLOW THE CONTROL PANEL TO BECOME WET. CLEAN WITH A SOFT, DAMP CLOTH. WHEN CLEANING THE CONTROL PANEL, LEAVE OVEN DOOR OPEN TO PREVENT OVEN FROM ACCIDENTALLY TURNING ON.
6. IF STEAM ACCUMULATES INSIDE OR AROUND THE OUTSIDE OF THE OVEN DOOR, WIPE WITH

A SOFT CLOTH. THIS MAY OCCUR WHEN THE MICROWAVE OVEN IS OPERATED UNDER HIGH HUMIDITY CONDITION. AND IT IS NORMAL.

7. IT IS OCCASIONALLY NECESSARY TO REMOVE THE GLASS TRAY FOR CLEANING. WASH THE TRAY IN WARM SUDSY WATER OR IN A DISHWASHER.
8. THE ROLLER RING AND OVEN FLOOR SHOULD BE CLEANED REGULARLY TO AVOID EXCESSIVE NOISE. SIMPLY WIPE THE BOTTOM SURFACE OF THE OVEN WITH MILD DETERGENT. THE ROLLER RING MAY BE WASHED IN MILD SUDSY WATER OR DISHWASHER. WHEN REMOVING THE ROLLER RING FROM CAVITY FLOOR FOR CLEANING, BE SURE TO REPLACE IN THE PROPER POSITION.
9. REMOVE ODORS FROM YOUR OVEN BY COMBINING A CUP OF WATER WITH THE JUICE AND SKIN OF ONE LEMON IN A DEEP MICROWAVEABLE BOWL, MICROWAVE FOR 5 MINUTES. WIPE THOROUGHLY AND DRY WITH A SOFT CLOTH.
10. WHEN IT BECOMES NECESSARY TO REPLACE THE OVEN LIGHT, PLEASE CONSULT A DEALER TO HAVE IT REPLACED.
11. THE OVEN SHOULD BE CLEANED REGULARLY AND ANY FOOD DEPOSITS REMOVED. FAILURE TO MAINTAIN THE OVEN IN A CLEAN CONDITION COULD LEAD TO DETERIORATION OF THE SURFACE THAT COULD ADVERSELY AFFECT THE LIFE OF THE APPLIANCE AND POSSIBLY RESULT IN A HAZARDOUS.
12. PLEASE DO NOT DISPOSE THIS APPLIANCE INTO THE DOMESTIC RUBBISH BIN; IT SHOULD BE DISPOSED TO THE PARTICULAR DISPOSAL CENTER PROVIDED BY THE MUNICIPALITIES.
13. WHEN THE MICROWAVE OVENS HAVE GRILL FUNCTION IS FIRST USED, IT MAY PRODUCE SLIGHT SMOKE AND SMELL. THIS IS A NORMAL PHENOMENON, BECAUSE THE OVEN IS MADE OF A STEEL PLATE COATED WITH LUBRICATING OIL, AND THE NEW OVEN WILL PRODUCE FUMES AND ODOR GENERATED BY BURNING THE LUBRICATING OIL. THIS PHENOMENON WILL DISAPPEAR AFTER A PERIOD OF USING.

Environment

CAUTION:



Do not dispose of this product as it has with other household products. There is a separation of this waste product into communities, you will need to inform your local authorities about the places where you can return this product. In fact, electrical and electronic products contain hazardous substances that have harmful effects on the environment or human health and should be recycled. The symbol here indicates that electrical and electronic equipment should be chosen carefully, a wheeled waste container is marked with a cross.

FRANCAIS

NOUS VOUS PRIONS DE BIEN LIRE CES INSTRUCTIONS AVANT L'INSTALLATION ET LA MISE EN MARCHE DU FOUR.

NOTEZ CI-DESSOUS LE NUMÉRO DE SÉRIE INDIQUÉ SUR LA PLAQUE DU FOUR ET CONSERVEZ CETTE INFORMATION POUR TOUTE RÉFÉRENCE FUTURE.

PRÉCAUTIONS POUR ÉVITER UNE ÉVENTUELLE EXPOSITION À L'ÉNERGIE DU MICRO-ONDES

1. N'essayez pas de mettre le four en marche avec la porte ouverte, vous pourriez subir des dommages dus à l'exposition à l'énergie micro-ondes. Il est très important de ne pas manipuler les systèmes de fermeture de sécurité.
2. Ne placez aucun objet devant la porte du four. Ne laissez pas de poussière ou de produits nettoyants s'accumuler sur la surface de la zone de fermeture.
3. N'utilisez pas le four s'il est endommagé. Il est très important que la porte du four soit bien fermée et que les éléments suivants ne présentent aucun défaut ou ne soient pas endommagés :
 - D. Porte (voilée),
 - E. Charnières et verrous (cassés ou détendus)
 - F. Joint d'étanchéité de la porte et surface du joint.

Vous ne devez pas régler ou réparer le four à moins de le faire effectuer par le service technique ou un technicien autorisé.

SPÉCIFICATIONS

Consommation d'énergie:	230-240V~50Hz, 1400W(micro-ondes) 1000w(grill)
Sortie de puissance du four micro-ondes:	900W
Fréquence d'opération:	2450MHz
Dimensions extérieures:	281mm(H) x483mm(W)x398mm(D)
Dimensions de la cavité du four micro-ondes:	220mm(H) x340mm(W)x320mm(D)
Capacité du four à micro-ondes:	23 Litres
Uniformité de la cuisson:	Système de plateau tournant {φ270mm}
Poids net:	Aprox.14.1 kg.

AVANT DE FAIRE APPEL AU SERVICE TECHNIQUE

Si le four à micro-ondes ne fonctionne pas:

Vérifiez que le four est bien branché. S'il ne l'est pas, enlevez la prise mâle de sa base ou la prise femelle. Attendez 10 secondes puis rebranchez-le.

1. Vérifiez si le fusible du disjoncteur ou le disjoncteur n'a pas sauté. Si ces deux derniers n'ont pas bougé, vérifiez si la prise femelle fonctionne en branchant un autre appareil pour la VÉRIFICATION.
2. Vérifiez si le panneau de commande est correctement programmé et si la minuterie est activée.
3. Vérifiez si la porte est fermée avec le mécanisme de fermeture de sécurité. Si elle ne l'est pas, l'énergie micro-ondes ne s'écoulera pas dans le four.

Si aucune de ces mesures ne rectifie la situation, faites alors appel à un technicien autorisé, n'essayez pas de régler ou de réparer le four par vous-même.

INSTALLATION

1. ASSUREZ-VOUS QUE VOUS AVEZ BIEN ENLEVÉ TOUT LE MATERIEL D'EMBALLAGE À L'INTÉRIEUR.
2. ATTENTION : VÉRIFIEZ LES ÉVENTUELS DÉFAUTS DU FOUR, PAR EXEMPLE SI LA PORTE EST DÉBOITÉE OU TORDUE; OU SI LE JOINT D'ÉTANCHÉITÉ DE LA PORTE OU LA SURFACE DU JOINT SONT ENDOMMAGÉS OU CASSÉS; OU ENCORE QUE LES VERROUS OU LES CHARNIÈRES DE LA PORTE SONT DÉTENDUS OU CASSÉS OU S'IL Y A DES DEFORMATIONS DANS LA CAVITE OU SUR LA PORTE. EN CAS D'ENDOMMAGEMENTS, NE METTEZ PAS LE FOUR EN MARCHÉ ET CONTACTEZ DIRECTEMENT LE SERVICE TECHNIQUE.
3. CE FOUR À MICRO-ONDES DOIT ÊTRE POSÉ SUR UNE SURFACE PLANE ET STABLE POUVANT

SUPPORTER SON POIDS ET LE POIDS MAXIMUM DES ALIMENTS PRÉVU POUR CE FOUR.

4. NE PLACEZ PAS LE FOUR À PROXIMITÉ DE SOURCES DE CHALEUR, D'HUMIDITÉ OU DE FORTE HUMIDITÉ OU DE MATÉRIELS INFLAMMABLES.
5. POUR UN USAGE CORRECT, LE FOUR DOIT AVOIR UNE ENTRÉE D'AIR SUFFISANTE. PRÉVOYEZ UN ESPACE DE 20 CM AU-DESSUS DU FOUR, 10 CM DERRIÈRE ET 5 CM SUR LES CÔTÉS. NE BOUCHEZ PAS ET NE BLOQUEZ PAS LES OUVERTURES DE L'APPAREIL. NE DÉMONTÉZ PAS LES PIEDS.
6. NE METTEZ PAS L'APPAREIL EN MARCHÉ SANS LE PLATEAU TOURNANT EN VERRE, LES APPUIS À ROULEMENT ET L'AXE EN POSITION CORRECTE.
7. ASSUREZ-VOUS QUE LE CORDON D'ALIMENTATION N'EST PAS ENDOMMAGÉ ET QU'IL NE PASSE PAS EN DESSOUS DU FOUR OU SUR DES SURFACES CHAUDES OU TRANCHANTES
8. LA PRISE FEMELLE DOIT ÊTRE INSTALLÉE DANS UN ENDROIT FACILE D'ACCÈS POUR QUE LA PRISE MALE PUISSE ÊTRE DÉBRANCHÉE FACILEMENT EN CAS D'URGENCE.
9. N'UTILISEZ PAS LE FOUR À L'EXTÉRIEUR.

INSTRUCTIONS POUR PRISE TERRE

CET APPAREIL DOIT ÊTRE BRANCHÉ SUR UNE PRISE DE TERRE. CE FOUR EST ÉQUIPÉ D'UN FIL DE TERRE BRANCHÉ À UNE ÉLECTRODE DE MASSE. CETTE PRISE MÂLE DOIT ÊTRE CORRECTEMENT BRANCHÉE À UNE PRISE FEMELLE AVEC PRISE DE TERRE. EN CAS DE COURT CIRCUIT, LA PRISE DE TERRE REDUIT LE RISQUE DE CHOC ÉLECTRIQUE PARCE QU'ELLE FOURNIT UN CÂBLE DE SORTIE POUR LE COURANT ÉLECTRIQUE. IL EST RECOMMANDÉ QUE LA PRISE FEMELLE SOIT UTILISÉE SEULEMENT POUR L'APPAREIL. L'USAGE D'UN VOLTAGE ÉLEVÉ EST DANGEREUX ET PEUT PROVOQUER DES INCENDIES OU AUTRES ACCIDENTS POUVANT CAUSER DES DÉTERIORATIONS AU FOUR.

Attention: L'utilisation incorrecte de l'électrode de masse peut provoquer un choc électrique.

Note

1. SI VOUS AVEZ DES DOUTES SUR LA PRISE DE TERRE OU SUR LES INSTRUCTIONS ÉLECTRIQUES, CONSULTEZ UN ÉLECTRICIEN OU UN SERVICE OFFICIEL.
2. NI LE FABRICANT NI LE DISTRIBUTEUR SONT RESPONSABLES DES DOMMAGES ET INTÉRÊTS CAUSÉS AUX PERSONNES OU AU FOUR FAUTE DE SUIVRE LES INDICATIONS DE BRANCHEMENT ÉLECTRIQUE.

Les fils dans le câble principal sont en couleurs selon les codes suivants:

PERTURBATION RADIOÉLECTRIQUE

Vert et jaune = terre

Bleu = retour

Marron = la phase

Le fonctionnement du four peut brouiller la réception de radio, TV ou appareils similaires. Cette interférence peut être réduite ou éliminée en prenant les mesures suivantes:

1. NETTOYEZ LA PORTE DU FOUR ET LA SURFACE DU JOINT
2. RÉORIENTEZ L'ANTENNE DE RADIO OU DE TELEVISION.
3. REMPLACEZ LE MICRO-ONDES PAR RAPPORT AU RECEPTEUR.

4. DÉPLACEZ LE MICRO-ONDES LOIN DU RECEPTEUR.
5. BRANCHEZ LE MICRO-ONDES DANS UN LIEU DIFFÉRENT POUR QUE CELUI-CI ET LE RÉCEPTEUR SOIENT BRANCHÉS DANS DES LIEUX DIFFÉRENTS.

INSTRUCTIONS IMPORTANTES DE SÉCURITÉ

Lorsque vous utilisez des appareils électriques, vous devez prendre des précautions de sécurité basiques.

Attention: Pour réduire les risques de brûlures, choc électrique, incendie, et blessures sur des personnes ou une exposition prolongée à l'énergie du micro-ondes:

- 1 . SI LE CORDON D' ALIMENTATION EST ENDOMMAGÉ, IL DOIT ÊTRE REMPLACÉ PAR LE FABRICANT OU SON SERVICE APRES VENTE OU UNE PERSONNE DE QUALIFICATION SIMILAIRE AFIN D'ÉVITER UN DANGER.
- 2 . AVERTISSEMENT: NE JAMAIS LAISSER LES ENFANTS UTILISER LE PRODUIT SANS SURVEILLANCE SAUF SI DES INSTRUCTIONS APPROPRIÉES ONT ÉTÉ DONNÉES AFIN QUE L'ENFANT SOIT CAPABLE D'UTILISER LE FOUR DE FAÇON SÛRE ET COMPRENNE LES DANGERS D'UN USAGE INCORRECT .
- 3 . ATTENTION: LORSQUE L'APPAREIL EST UTILISÉ EN MODE COMBINÉ, LES ENFANTS DOIVENT UTILISER LE FOUR SOUS SURVEILLANCE D'UN ADULTE EN RAISON DES TEMPÉRATURES GÉNÉRÉES .
- 4 . LORSQUE VOUS RÉCHAUFFEZ DES ALIMENTS DANS UN RÉCIPIENT EN PLASTIQUE OU EN PAPIER , SURVEILLER LE FOUR EN RAISON DE LA POSSIBILITÉ D'INFLAMMATION .
- 5 . SI DE LA FUMÉE EMMANE DU PRODUIT , ÉTEINDRE OU DÉBRANCHER L'APPAREIL ET GARDER LA PORTE FERMÉE POUR ÉTOUFFER LES FLAMMES .
- 6 . ATTENTION: LIQUIDES OU AUTRES ALIMENTS NE DOIVENT PAS ÊTRE RÉCHAUFFÉS DANS DES RÉCIPIENTS FERMÉS CAR ILS RISQUENT D'EXPLOSER.
- 7 . CHAUFFAGE AU MICRO-ONDES DE BOISSON PEUT ENTRAÎNER UNE ÉBULLITION ÉRUPTIVE RETARDÉE, DONC MANUPILER LE RECIPIENT AVEC SOIN AFIN D'EVITER TOUS RISQUES DE BRULURES.
- 8 . ATTENTION: LES OEUFS DANS LEUR COUILLE ET LES OEUFS DURS NE DOIT PAS ÊTRE CHAUFFÉ DANS DES FOURS À MICRO-ONDES CAR ILS RISQUENT D'EXPLOSER , MÊME UNE FOIS QUE LA CUISSON EST TERMINÉE.
- 9 . AVERTISSEMENT: LE CONTENU DE BIBERONS ET PETITS POTS BÉBÉ DOIT ÊTRE REMUÉ OU AGITÉ ET LA TEMPÉRATURE DOIT ÊTRE VÉRIFIÉS AVANT DE SERVIR AFIN D' ÉVITER LES BRÛLURES.
- 10 . LES USTENSILES DOIVENT ÊTRE VÉRIFIÉS POUR S'ASSURER QU'ILS SONT ADAPTÉS POUR UNE UTILISATION DANS UN FOUR À MICRO-ONDES.
- 11 . AVERTISSEMENT: IL EST DANGEREUX POUR QUICONQUE AUTRE QU'UNE PERSONNE QUALIFIÉE POUR EFFECTUER TOUT SERVICE OU RÉPARATION , CE QUI IMPLIQUE LA SUPPRESSION DE TOUTE COUVERTURE, QUI OFFRE UNE PROTECTION CONTRE L'EXPOSITION À L'ÉNERGIE DES MICRO-ONDES.
12. LE FOUR DOIT ÊTRE RÉGULIÈREMENT NETTOYÉ ET TOUT LES PROJECTILES DE NOURRITURE .
- 13 . SI LE FOUR N'EST PAS MAINTENU DANS UN ÉTAT DE PROPRETÉ CELA POURRAIT CONDUIRE À UNE DÉTÉRIORATION DE LA SURFACE QUI POURRAIT NUIRE À LA VIE DE L' APPAREIL ET PROVOQUER UNE SITUATION DANGEREUSE ,
14. ATTENTION - SI LA PORTE OU LES JOINTS DE LA PORTE SONT ENDOMMAGÉS , LE FOUR NE DOIT PAS ÊTRE UTILISÉ JUSQU'À CE QU'IL AIT ÉTÉ RÉPARÉ PAR UNE PERSONNE QUALIFIÉE .
15. «CE PRODUIT EST UN ÉQUIPEMENT DE CLASSE ET DE GROUPE : ISM 2 B. LA DÉFINITION DU GROUPE 2 QUI CONTIENT TOUTES ISM (INDUSTRIAL , SCIENTIFIC AND MEDICAL) MATÉRIEL DANS LEQUEL L'ÉNERGIE RADIOFRÉQUENCE EST INTENTIONNELLEMENT GÉNÉRÉE ET / OU UTILISÉE SOUS LA FORME D'UN RAYONNEMENT ÉLECTROMAGNÉTIQUE POUR LE TRAITEMENT DE LA MATIÈRE , ET DE

SUSCITER L'ÉQUIPEMENT DE L'ÉROSION. POUR LES ÉQUIPEMENTS DE CLASSE B C'EST UN ÉQUIPEMENT ADAPTÉ POUR UNE UTILISATION DANS DES ÉTABLISSEMENTS DOMESTIQUES ET DANS LES ÉTABLISSEMENTS DIRECTEMENT CONNECTÉS À UN RÉSEAU D'ALIMENTATION BASSE TENSION QUI ALIMENTE LES BÂTIMENTS UTILISÉS À DES FINS DOMESTIQUES " .

16. VEUILLEZ NE PAS JETER CET APPAREIL DANS LA POUBELLE DOMESTIQUE, IL DOIT ÊTRE ÉLIMINÉ AU CENTRE D'ÉLIMINATION PARTICULIER FOURNI PAR LES MUNICIPALITÉS.

17. CE PRODUIT N'EST PAS UN MICRO ONDES ENCASTRABLE.

18. AVERTISSEMENT: NE PAS INSTALLER LE FOUR SUR UNE PLAQUE DE CUISSON DE LA CUISINIÈRE OU PRES DE TOUT AUTRE APPAREIL PRODUISANT DE LA CHALEUR . LE PRODUIT POURRAIT ETRE ENDOMMAGÉ ET POURRAIT ENTRAINER DES COMPLICATIONS.

19. LA SURFACE DU PRODUIT PEUT ÊTRE CHAUDE PENDANT LE FONCTIONNEMENT.

20 . LE FOUR À MICRO-ONDES NE DOIT PAS ÊTRE PLACÉ DANS UNE ARMOIRE .

21 . LA PORTE OU LA SURFACE EXTÉRIEURE PEUT DEVENIR CHAUD LORSQUE L'APPAREIL FONCTIONNE .

22 . LA TEMPÉRATURE DES SURFACES ACCESSIBLES PEUT ÊTRE ÉLEVÉE LORSQUE L'APPAREIL EST EN MARCHE.

23 . CET APPAREIL N'EST PAS DESTINÉ À ÊTRE UTILISÉ PAR DES PERSONNES (NOTAMMENT DES ENFANTS) DONT LES CAPACITÉS PHYSIQUES SENSORIELLES OU MENTALES RÉDUITES, OU LE MANQUE D' EXPÉRIENCE ET DE CONNAISSANCES , À MOINS QU'ELLES N'AIENT ÉTÉ FORMÉES ET ENCADRÉES POUR L'UTILISATION DE CET APPAREIL PAR UNE PERSONNE RESPONSABLE DE LEUR SÉCURITÉ .

24. LES ENFANTS DOIVENT ÊTRE SURVEILLÉS POUR S'ASSURER QU'ILS NE JOUENT PAS AVEC L'APPAREIL.

25. L'APPAREIL DOIT ÊTRE PLACÉ CONTRE UN MUR.

26 . L'APPAREIL NE DOIT PAS ÊTRE UTILISÉ PAR DES ENFANTS OU DES PERSONNES DONT LES CAPACITÉS PHYSIQUES, SENSORIELLES OU MENTALES RÉDUITES , OU MANQUANT D'EXPÉRIENCE ET DE CONNAISSANCES, À MOINS QU'ELLES N'AIENT ÉTÉ FORMÉES ET ENCADRÉES POUR

27 . LES ENFANTS DOIVENT ETRE ENCADRÉS ET NE PAS JOUER AVEC L'APPAREIL

28 . LES APPAREILS NE SONT PAS DESTINÉS À ÊTRE ACTIONNÉS PAR UNE MINUTERIE EXTERNE OU UN SYSTÈME DE COMMANDE À DISTANCE EXTERNE.

29 . ATTENTION: SI LA PORTE OU LES JOINTS DE LA PORTE SONT ENDOMMAGÉS , LE FOUR NE DOIT PAS ÊTRE UTILISÉ JUSQU'À CE QU'IL AIT ÉTÉ RÉPARÉ PAR UNE PERSONNE COMPÉTENTE

30 . LE FOUR DOIT ÊTRE RÉGULIÈREMENT NETTOYÉ ET TOUT LES RESTES DE NOURRITURE

31 . DÉFAUT DE MAINTENIR LE FOUR DANS UN ÉTAT DE PROPRETÉ POURRAIT CONDUIRE À UNE DÉTÉRIORATION DE LA SURFACE QUI POURRAIT NUIRE À LA VIE DE L' APPAREIL ET PROVOQUER UNE SITUATION DANGEREUSE

32 . LES APPAREILS NE SONT PAS DESTINÉS À ÊTRE ACTIONNÉS PAR UNE MINUTERIE EXTERNE OU UN SYSTÈME DE COMMANDE À DISTANCE EXTERNE.

33 . LE FOUR À MICRO-ONDES EST DESTINE À UN USAGE DOMESTIQUE ET NON POUR UN USAGE COMMERCIAL .

34 . NE RETIREZ JAMAIS LE SUPPORT DANS LE DOS OU SUR LES CÔTÉS DU PRODUIT, CAR IL ASSURE UNE DISTANCE MINIMALE DE LA PAROI POUR LA CIRCULATION D'AIR .

35. AFIN D'ÉVITER DES ENDOMMAGEMENTS, MERCI DE SÉCURISER LA PLAQUE TOURNANTE AVANT DE DÉPLACER L'APPAREIL.

36 . ATTENTION: IL EST DANGEREUX DE FAIRE RÉPARER OU DE FAIRE ENTRETENIR L'APPAREIL PAR UNE PERSONNE AUTRE QU'UN SPÉCIALISTE CAR LA STRUCTURE DU PRODUIT DOIT ÊTRE ENLEVÉE (QUI ASSURE UNE PROTECTION CONTRE LES RAYONNEMENTS MICRO-ONDES). CELA VAUT ÉGALEMENT POUR LE CHANGEMENY DU CORDON D'ALIMENTATION OU DE L'ÉCLAIRAGE. ENVOYER L'APPAREIL DANS CES CAS À NOTRE SERVICE APRES VENTE.

37 . LE FOUR À MICRO-ONDES PEUT ETRE UTILISE POUR LA DÉCONGÉLATION, LA CUISSON À LA

VAPEUR ET LA CUISSON DE LA NOURRITURE SEULEMENT .

38 . UTILISER DES GANTS SI VOUS RETIREZ DE LA NOURRITURE CHAUFFÉE.

39 . ATTENTION DE LA VAPEUR PEUT S'ÉCHAPPER , LORS DE L'OUVERTURE DES COUVERCLES OU EMBALLAGE.

40. CET APPAREIL PEUT ÊTRE UTILISÉ PAR DES ENFANTS ÂGÉS DE 8 ANS ET PLUS ET PAR LES PERSONNES DONT LES CAPACITÉS PHYSIQUES, SENSORIELLES OU MENTALES OU MANQUANT D'EXPÉRIENCE ET DE CONNAISSANCES, SI ELLES ONT ÉTÉ FORMÉES ET ENCADRÉES POUR L'UTILISATION DE CET APPAREIL EN TOUTE SÉCURITÉ ET DE COMPRENDRE LES DANGERS IMPLIQUES . LES ENFANTS NE DOIVENT PAS JOUER AVEC L'APPAREIL. LE NETTOYAGE ET L'ENTRETIEN DE L'APPAREIL NE DOIT PAS ETRE REALISE PAR DES ENFANTS , SAUF S'ILS SONT ÂGÉS DE 8 ANS ET PLUS ET SUPERVISÉ PAR DES ADULTES.

41 . SI DE LA FUMÉE EST ÉMIS , ÉTEIGNEZ OU DÉBRANCHEZ L'APPAREIL ET GARDEZ LA PORTE FERMÉE AFIN D'ÉTOUFFER LA FUMEE.

COMMENT CUIRE AU MICRO-ONDES

- 1.PLACEZ SOIGNEUSEMENT LA NOURRITURE. METTEZ LES PARTIES LES PLUS ÉPAISSES VERS LES BORDS DU RÉCIPIENT.
- 2.OBSERVEZ LE TEMPS DE CUISSON. FAITES CUIRE PENDANT LE TEMPS DE CUISSON MINIMUM INDIQUÉ ET AUGMENTEZ SI BESOIN EST. LES ALIMENTS CUITS INTENSÉMENT PEUVENT BRULER ET PRENDRE FEU.
- 3.COUVREZ LES ALIMENTS PENDANT LA CUISSON. LES COUVERCLES ÉVITENT LES ÉCLABOUSSURES ET PERMETTENT AUX ALIMENTS DE CUIRE DE FAÇON HOMOGENE.
- 4.POUR ACCÉLÉRER LA CUISSON, RETOURNEZ LA NOURRITURE VOLUMINEUSE COMME LE POULET OU LES BIFTECKS HACHÉS AU MOINS UNE FOIS.
- 5.RÉORGANISEZ À MI-CUISSON LA POSITION DES ALIMENTS COMME LES BOULETTES, EN CUISANT DE HAUT EN BAS ET DU CENTRE AUX BORDS DU RÉCIPIENT.

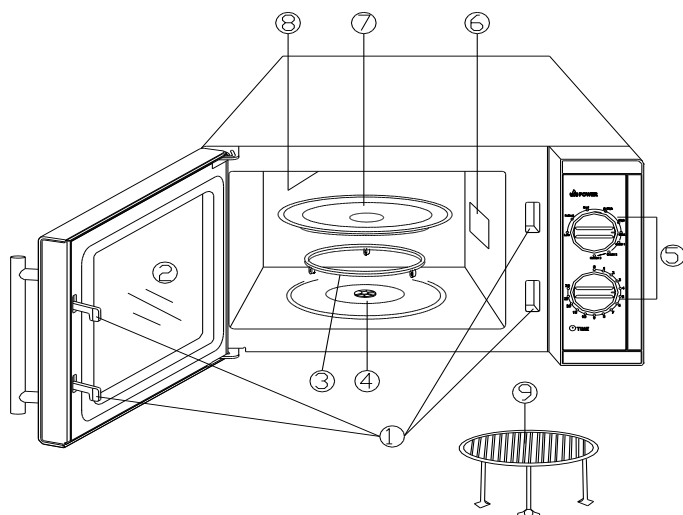
GUIDE DES USTENSILES

1. LE MATÉRIEL IDÉAL POUR LES USTENSILES DE MICRO-ONDES DOIT ÊTRE TRANSPARENT POUR LAISSER PASSER L'ÉNERGIE À TRAVERS LE RÉCIPIENT ET CHAUFFER LA NOURRITURE.
2. L'ÉNERGIE MICRO-ONDES NE PEUT PAS PÉNÉTRER LE MÉTAL, IL NE FAUT DONC PAS UTILISER D'USTENSILES ET DE RÉCIPIENTS EN MÉTAL OU AVEC DES BORDS EN MÉTAL.
3. N'UTILISEZ PAS DE PRODUITS EN PAPIER RECYCLÉS DANS LES MICRO-ONDES, CAR ILS PEUVENT CONTENIR DE PETITS FRAGMENTS DE MÉTAL POUVANT PROVOQUER DES ÉTINCELLES ET/OU DES FLAMMES.
4. NOUS VOUS RECOMMANDONS D'UTILISER DES RÉCIPIENTS OVALES/ RONDS PLUTÔT QU'OBLONGS OU CARRÉS, CAR LA NOURRITURE A TENDANCE À CUIRE PLUS DANS LES COINS.
5. LES BANDES ÉTROITES DE PAPIER ALUMINIUM PEUVENT ÊTRE UTILISÉES CONTRE LA CUISSON EXCESSIVE DANS LES ZONES EXPOSÉES. FAITES ATTENTION ET N'UTILISEZ PAS TROP DE PAPIER ALUMINIUM ET MAINTENEZ UNE DISTANCE DE 2,54 CM ENTRE LE PAPIER ALUMINIUM ET LA CAVITÉ.

LA LISTE CI-DESSOUS EST UN GUIDE GÉNÉRAL AFIN DE SÉLECTIONNER LES USTENSILES CORRECTS.

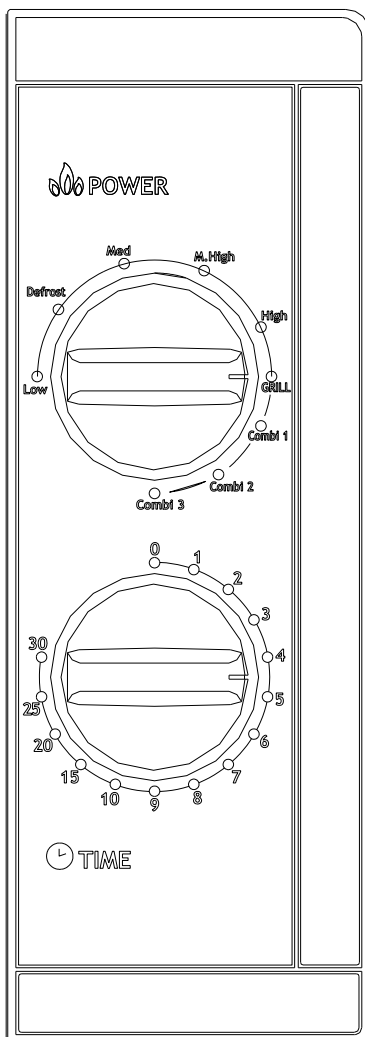
Ustensiles	micro ondes	Grill	Combiné
Du verre résistant à la chaleur	Oui	Oui	Oui
Du verre ne résistant pas à la chaleur	Non	Non	Non
Céramique résistant à la chaleur	Oui	Oui	Oui
Plat en plastique convenant au micro ondes	Oui	Non	Non
Papier de cuisson	Oui	Non	Non
Plateau en métal	Non	Oui	Non
Etagère en métal	Non	Oui	Non
Papier aluminium	Non	Oui	Non

NOMS DES PARTIES



1. système de sécurité
2. hublot
3. support plateau
4. axe
5. panneau de contrôle
6. ventilation
7. plateau en verre
8. chauffe-grill
9. support en métal

PANNEAU DE COMMANDE



LE PANNEAU DE CONTRÔLE SE COMPOSE DE DEUX FONCTIONS. LA PREMIERE POWER, QUI CORRESPOND A LA PUISSANCE DE CUISSON ET LA SECONDE TIME QUI CORRESPOND A LA MINUTERIE.

MINUTERIE

LE BOUTON DE MINUTERIE PERMET DE CHOISIR LE TEMPS DE CUISSON ET DE METTRE EN ROUTE L'APPAREIL.

AFIN DE SELECTIONNER LE TEMPS DE CUISSON, TOURNEZ LE BOUTON VERS LA DROITE. LE TEMPS MAXIMALE DE CUISSON EST DE 30 MINUTES.

CUISSON

IL Y A CINQ NIVEAU DE PUISSANCE POUR LA CUISSON. IL EST IMPORTANT DE CHOISIR LA PUISSANCE DE CUISSON EN FONCTION DU PLAT A CUIRE. AFIN D'AUGMENTER LA PUISSANCE VOUS POUVEZ

TOURNER LE BOUTON VERS LA DROITE.

LES NIVEAUX DE PUISSANCE PEUVENT ÊTRE CLASSÉS COMME DANS LE TABLEAU CI-DESSOUS :

	PUISSANCE	DESCRIPTION
1	18% OF TOTAL	LOW
2	36	DEFROST
3	58	MEDIUM
4	81	M. HIGH
5	100	HIGH

"COMBI 1, COMBI 2, COMBI 3" CORRESPOND À LA CUISSON COMBINÉE DU FOUR À MICRO-ONDES ET DU GRILL. L'OPÉRATION EST CLASSÉ EN TROIS NIVEAUX AVEC DIFFÉRENTS RÉGLAGES DE PUISSANCE SELON LA COMBINAISON, LE TABLEAU SUIVANT MONTRE LES 3 DIFFÉRENTS RÉGLAGES:

PROGRAM ME	MICRO-ONDES	GRILL	CONVIENT POUR LES ALIMENTS SUIVANTS (EXEMPLE)
COMBI.1	30%	70%	POISSONS
COMBI.2	49%	51%	OMELETTES
COMBI.3	67%	33%	VOLAILLE

GRILL

POUR PASSER EN MODE GRILL VOUS DEVEZ CHOISIR LE NIVEAU DE PUISSANCE LE PLUS HAUT. LA FONCTION GRILL EST IDEALE POUR FAIRE CUIRE DES FINES TRANCHES DE VIANDE, DES SAUCISSES, DES MORCEAUX DE POULET, DES BROCHETTES OU ENCORE DES STEACKS. VOUS POUVEZ EGALEMENT UTILISER LA FONCTION GRILL POUR VOS SANDWICHS CHAUDS OU VOS GRATINS.

REMARQUE : Dès que vous avez réglé le temps de cuisson, le four entamera la cuisson. Lorsque le temps sélectionné est de moins de 2 minutes, réglez la minuterie sur plus de 2 minutes puis réglez à nouveau le temps correct.

ATTENTION: REPLACEZ TOUJOURS LA MINUTERIE SUR ZERO LORSQUE VOUS RETIREZ LA NOURRITURE AVANT LE TEMPS PRÉRÉGLÉ OU LORSQUE VOUS N'UTILISEZ PAS LE FOUR. POUR

NETTOYAGE ET ENTRETIEN

ARRÊTER LE FOUR PENDANT LA CUISSON, OUVREZ LA PORTE.

1. Avant de nettoyer, éteignez le four et coupez le courant en débranchant la prise femelle du mur.
2. Maintenez votre four propre. Lorsque la nourriture ou les liquides éclaboussent et adhèrent aux parois du four, passez un chiffon humide. On peut utiliser un détergent doux si le four se salit beaucoup. Évitez l'usage de spray et autres produits agressifs car ils peuvent salir la surface de la porte.
3. Les surfaces extérieures doivent être nettoyées avec un chiffon humide. Pour prévenir des dégâts aux parties opératives intérieures, l'eau ne doit pas traverser la grille intérieure.
4. Passez régulièrement le chiffon humide sur les deux côtés de la porte et du hublot, les joints des portes et autres parties contiguës pour enlever les éclaboussures.
5. Ne laissez pas le panneau de commande se mouiller et laissez la porte du four ouverte afin d'éviter sa mise en marche accidentelle.
6. En cas d'accumulation de vapeur dans ou autour du four, nettoyez-la avec un chiffon doux. Cela peut arriver lorsque le four fonctionne sous des conditions de forte humidité. Cela est normal.
7. Occasionnellement il est nécessaire d'enlever le plat en verre pour nettoyer. Lavez le plateau tournant avec de l'eau savonneuse ou au lave-vaisselle.
8. L'anneau roulant et la base du four doivent être nettoyés régulièrement pour éviter l'excès de bruit. Utilisez simplement un chiffon avec un détergent doux. L'anneau peut se nettoyer à l'eau savonneuse ou au lave-vaisselle. Lorsque vous enlèverez l'anneau de la cavité pour nettoyer la base, remettez-le dans sa position correcte.
9. Pour enlever les odeurs du four, mettez de l'eau avec un peu de citron dans un récipient adapté aux micro-ondes et mettez le four en marche pendant 5 minutes. Nettoyez bien le four et séchez avec un chiffon doux.
10. Lorsqu'il est nécessaire de changer la lumière du four, contactez votre distributeur pour changer la lumière.



ATTENTION :

Vous ne devez pas vous débarrasser de cet appareil avec vos déchets ménagers. Un système de collecte sélective pour ce type de produit est mis en place par les communes, vous devez vous renseigner auprès de votre mairie afin d'en connaître les emplacements. En effet, les produits électriques et électroniques peuvent contenir des substances dangereuses qui ont des effets néfastes sur l'environnement ou la santé humaine et doivent être recyclés. Le symbole ci-contre indique que les équipements électriques et électroniques font l'objet d'une collecte sélective, il représente une poubelle sur roues barrée d'une croix.

Fabriqué pour et importe par : Adeva SAS 8 rue Marc Seguin 77290 Mitry-Mory FRANCE

www.hkoenig.com - contact@hkoenig.com - 01.64.67.00.01

DEUTSCH

WIR BITTEN SIE DIE GANZE BEDIENUNGSANLEITUNG VOR DER INSTALLATION UND GEBRAUCH ZU LESEN. NOTIEREN SIE HIER DIE SERIENNUMMER AM MIKROWELLENHERD UND BEHALTEN SIE DIE INFORMATION FUER ZUKUENFTIGE REFERENZEN.

SEIEN SIE VORSICHTIG MIT DEN MIKROWELLEN UND EINER MOEGLICHEN AUSTRALUHG

1. Versuchen Sie nicht den Mikrowellenherd mit offener Tuer an zumachen. Sie koennten an Mikrowellen Strahlung ausgesetzt werden. Es ist sehr wichtig das Tueroeffnungssystem nicht zu manipulieren.
2. Legen Sie kein Objekt vor der Tuer des Gerates. Lassen keine reinigungsmittel reste auf dem inneren Boden des Geraetes.
3. Benutzen Sie den Herd nicht wenn er beschaedigt ist. Esist sehr wichtig das die Tuer gut geschlossen ist und das folgende Teile nicht beschaedigt sind.
 - a. Tuer
 - b. Scharniere und Verschlüsse
 - c. Siegel der Tür und Dichtfläche.**
4. Sie koennen den Herd nicht reparieren es sei den Sie bringnelhn an einene autorisierten Techniker.

TECHNISCHE DATEN

Energieverbrauch:	230-240V~50Hz, 1400W(Mikrowelle) 1000w(Grill)
Lesitung Mikrowelle:	900W
Betriebsfrequenz:	2450MHz
Außenmaße:	281mm(H) x483mm(W)x398mm(D)
Abmessungen des Innenraums der Mikrowelle:	220mm(H) x340mm(W)x320mm(D)
Mikrowellenofenkapazität:	23 Liter
Gleichmäßigkeit des Kochens:	Drehteller-System {ø270mm}
Netto Gewicht:	Ungefaehr 14.1 Kg.

BEVOR SIE DEN TECHNIKER ANRUFEN

Wenn der Mikrowellenofen nicht funktioniert:

Vergewissern Sie sich das der Ofen an das Stromnetz angeschlossen ist. Wenn nicht dann schliessen Sie ihn an und warten Sie 10 Sekunden.

1. Vergewissern Sie sich das der Sicherungslasttrenner nicht geflogen ist. Wenn nicht dann vergewissern Sie sich das der Stecker des Stromneztes funktioniert.
2. Sehen Sie die Bedientafel und achte Sie darauf das der Zeitgeber korrekt kuntioniert.
3. Vergewissern Sie sich das die Tuere korrekt geschlossen ist, wenn nicht dan kann der Ofen nicht angeschaltet werden.

Wenn keine der Vorgaben funktioniert dann rufen sie einene autorisierten Techniker an.

INSTALLATION

1. VERGEWISSERN SIE SICH DAS SIE DIE GANZE VERPACKUNG VOM INNERN DES OFENS ENTFERNT HABEN.
2. ACHTUNG: ACHTEN SIE AUF MOEGELICHE DEFEKTE DES OFENS. WIE EINE TUER DI NICHT GUT SCHLIESST, DAS SIEGEL DER TUERE, SCHARNIERE UND VERSCHLUESSE SOLLTEN IN ORDNUNG SEIN, ETC. WENN SEI SEHEN DAS ETWAS NICHT IN ORDNUNG IST DANN RUFEN SIE DEN TECHNIKER SERVICE AN.
3. DER OFEN SOLLTE AUF EINE EBENE OERFLAECHE GESTELLT WERDEN SO KANN ER SEIN GEWICHT UND DAS GEWICHT DER SPEISEN TRAGEN.
4. STELLEN SIE DEN OFEN NICHT IN DIE NAEHE VON WAERMEQUELLEN, FEUCHTIGKEIT ODER BRENNBARE MATERIALIEN.
5. FUER EINE KORREKTE HANDHABUNG BRAUCHT DER OFEN EINENE LUFTEINLASS. 20CM UEBER DEM OFEN, 10CM HINTER DEM OFEN UND 5 CM AUF DEN SEITEN DES OFENS. BLOCKIEREN SIE NICHT DEN LUEFTUNGS EINGANG UND DEMONTIEREN SIE NICHT DIE STUETZEN DES OFENS.
6. MACHEN SIE DEN OFEN NICHT OHNE DEN DREHTELLER, DER AXE UND DER ROLL HILFE AN.
7. VERGEWISSERN SIE SICH DAS DAS STROMKABEL IN ORDNUNG IST UND DAS ES NICHT UNTER DEM OFEN ODER UEBER WAERMEQUELLEN LIEGT.
8. DER STECKER MUSS IN EINER MOEGLICHST ERREICHBAREN POSITION SEIN SO DAS MAN DEN OFEN IN NOTSITUATZION SO SCHNELLE WIE MOEGLICH AUSSCHALTEN KANN.
9. BENUTZEN SIE DEN OFEN NICHT IM FREIEN.

ERDUNGSHINWEISE

DIESES GERAET MUSS GEERDET SEIN. DER OFEN HAT EIN KABEL DAS AN IENE MASSEELEKTRODE ANGESCHLOSSEN IST. DIESES KABEL MUSS AN EINEN STECKER MIT ERDUNG ANGESCHLOSSEN WERDEN. IM FALLE EINES KURZSCHLUSSES KANN DIESE ERDUNG EINEN MOEGLICHEN ELEKTROSCHOCK VERRINGERN. ES EMPFIELT SICH DAS DER STECKER NUR FUER DEN MIKROWELLENOFEN BENUTZT WIRD. DIE BENUTZUNG EINER HOHEN SPANNUNG KANN ZUR BRANDTGEFAHR BRINGEN.

Achtung : Eine falsche handhabung von Erdkabel kann zum Elektroschock fuehren.

Hinweis :

1. FALLS SIE ZWEIFEL HABEN FRAGEN SIE EINENE TECHNIKER ODER RUFEN SIE DEN OFFIZIELLNE SERVICE AN.
2. DER HERSTELLER UND DER VERKAUEFER SIND NICHT VERANTWORTLICH FUER MOEGELICHE SCHAEDEN. WENN MA DIE HINWEISE NICHT FOLGT.

Die Farben der Kabel sind folgende:

Gruen und Gelb = Erdungskabel

Blau = Rueckkehr

Braun = Die Phase

RADIOFREQUENZ STÖRUNGEN

Der Betrieb vom Ofen kann zu Radio und TV Rezeptionsstörungen bringen. Diese Störung kann folgenderweise vermindert werden.

1. REINIGEN SIE DIE TÜR DES OFENS UND DIE OBERFLÄCHE DES SIEGELS.
2. REPOSITIONIEREN SIE ANTENNE DES TV ODER DES RADIOS.
3. STELLEN SIE DEN OFEN IN EINE ANDERE POSITION.
4. STELLEN SIE DEN OFEN WEIT WEG VON TV ODER RADIO.
5. STECKEN SIE DEN MIKROWELLENOFEN IN EINEN ANDEREN NETZSTECKER.

WICHTIGE SICHERHEITSHINWEISE

WENN SIE ELEKTRISCHE GERÄTE BENUTZEN MÜSSEN SIE FOLGENDE SICHERHEITSHINWEISE FOLGEN.

ACHTUNG: UM VERBRENNUNGS GEFAHR, ELEKTROSCHOCK, BRANDTGEFAHR, VERLETZUNG DER PERSONEN UND EINE AUSSTELLUNG AN STRAHLEN ZU VERMEIDEN:

1. Wenn das Netzkabel beschädigt ist, muss sie durch den Hersteller oder seinen Kundendienst oder eine ähnlich qualifizierte Person, um eine Gefahr zu vermeiden ersetzt werden.
2. **WARNUNG:** Nur Kinder dürfen den Ofen ohne Aufsicht benutzen, wenn ausreichende Anweisungen gegeben haben, dass das Kind in der Lage ist, den Ofen in einer sicheren Weise zu nutzen und versteht die Gefahren eines unsachgemäßen Gebrauchs.
3. **Achtung:** Wenn das Gerät in der Kombination betrieben wird, sollten Kinder nur den Backofen unter Aufsicht von Erwachsenen aufgrund der Temperaturen erzeugen.
4. Beim Erhitzen von Speisen in Kunststoff- oder Papier-Container, ein Auge auf den Ofen wegen der Möglichkeit einer Entzündung.
5. Wenn Rauch festgestellt wird, ausschalten oder den Netzstecker ziehen und die Tür geschlossen halten, um eventuelle Flammen zu ersticken.
6. **Warnung:** Flüssige oder andere Lebensmittel dürfen nicht in verschlossenen Behältern erhitzt werden, da sie explodieren könnten.
7. Mikrowelle Erwärmung Getränkedose in verzögerten eruptiven kochendem führen daher darauf zu achten, wenn der Griff des Behälters werden.
8. **Achtung:** Eier in Schale und hart gekochte Eier dürfen nicht in Mikrowellengeräten erwärmt werden, da sie explodieren können, selbst nach Mikrowellenheizung ist beendet.
9. **Achtung:** Die Inhalte Babyflaschen und Gläser sollten gerührt oder geschüttelt werden und die Temperatur sollte vor dem Servieren, um Verbrennungen zu vermeiden überprüft werden.
10. Utensilien sollten überprüft werden, um sicherzustellen, dass sie für den Einsatz in der Mikrowelle sind werden.
11. **ACHTUNG:** Es ist gefährlich für andere Personen als ausgebildete Personen zur Durchführung einer Wartung oder Reparatur Operation, die die Entfernung von Abdeckung, die Schutz bietet vor der Exposition gegenüber Mikrowellenenergie beinhaltet.
12. Der Ofen sollte regelmäßig gereinigt werden und alle Speisereste entfernt.
13. Wird das Gerät in einem sauberen Zustand zu halten könnte, um eine Verschlechterung der Oberfläche, die sich negativ auf die Lebensdauer des Gerätes und es nicht zu einer gefährlichen Situation führen,
14. **Warnung -** Wenn die Tür oder die Türdichtungen beschädigt sind, muss der Ofen nicht betrieben werden, bis

sie von einer ausgebildeten Person repariert worden ist .

15 . " Dieses Produkt ist ein Gruppe 2 Klasse B ISM Ausrüstung. Die Definition der Gruppe 2 , die alle ISM (Industrial, Scientific and Medical) Anlagen, in denen hochfrequente Energie absichtlich erzeugte und / oder in Form von elektromagnetischer Strahlung für die Behandlung von Material und Funkenerosion Gerät enthält . Für die Klasse B sind Geräte für den Einsatz in Wohnbereichen und in Einrichtungen, die direkt an ein Niederspannungsnetz Versorgungsnetz , die Wohngebäude Zweck " versorgt.

16 . Bitte nicht entsorgen Sie das Gerät in den Hausmüll bin , sollte es auf die jeweilige Entsorgungszentrum von den Gemeinden zur Verfügung gestellt entsorgt werden.

17 . Der Mikrowellenherd ist nur in freistehenden verwendet .

18 . WARNUNG : Installieren Sie nicht über einen Bereich Backofen Kochfeld oder anderen Wärme erzeugenden Gerätes. wenn intalled könnte beschädigt werden und das würde wareanty vold werden.

19 . Die zugängliche Oberfläche kann während des Betriebs heiß .

20 . Die Mikrowelle darf nicht in einem Schrank platziert werden.

21 . Die Tür oder die äußere Oberfläche kann heiß werden , wenn das Gerät in Betrieb ist.

22 . Die Temperatur der zugänglichen Oberflächen hoch sein kann , wenn das Gerät in Betrieb ist.

23 . Dieses Gerät ist nicht zur Verwendung durch Personen (einschließlich Kinder) mit eingeschränkten physischen, sensorischen oder geistigen Fähigkeiten oder mangels Erfahrung und Wissen bestimmt , es sei denn, sie werden beaufsichtigt oder ausführliche Anleitung zur Benutzung des Geräts durch eine verantwortliche Person für ihre Sicherheit .

24 . Kinder sollten beaufsichtigt werden , um sicherzustellen, dass sie nicht mit dem Gerät spielen.

25 . Das Gerät darf an eine Wand gestellt werden.

26 . Gerät ist nicht von Kindern oder Personen mit eingeschränkten physischen , sensorischen oder geistigen Fähigkeiten oder mangels Erfahrung und Wissen verwendet werden , sofern sie nicht ohne Aufsicht oder Anweisung gegeben haben

27 . Kinder werden beaufsichtigt , nicht mit Gerät spielen

28 . Haushaltsgeräte nicht beabsichtigt, durch eine externe Zeitschaltuhr oder getrennte Fernsteuerung betrieben werden

29 . ACHTUNG: Wenn die Tür oder die Türdichtungen beschädigt sind, muss der Ofen nicht betrieben , bis es von einer sachkundigen Person repariert worden ist

30 . Der Ofen sollte regelmäßig gereinigt werden und alle Speisereste entfernt

31 . Wird das Gerät in einem sauberen Zustand zu halten könnte , um eine Verschlechterung der Oberfläche , die sich negativ auf die Lebensdauer des Gerätes und möglicherweise zu einer gefährlichen Situation führen führen

32 . Haushaltsgeräte sind nicht dazu gedacht, mittels einer externen Zeitschaltuhr oder separaten Fernbedienung betrieben werden.

33 . Die Mikrowelle ist für den Hausgebrauch nur und nicht für den gewerblichen Einsatz .

34 . Entfernen Sie niemals die Abstandshalter auf der Rückseite oder an den Seiten , da es einen minimalen Abstand von der Wand zur Luftzirkulation gewährleistet .

35 . Bitte sichern Sie den Drehtisch , bevor Sie das Gerät bewegen , um Schäden zu vermeiden.

36 . Achtung: Es ist gefährlich, reparieren oder warten Sie das Gerät von keinem anderen als einem Spezialisten , weil unter diesen Umständen die Abdeckung entfernt, die gewährleistet Schutz gegen Mikrowellenstrahlung werden müssen. Dies gilt für das Wechseln Sie das Netzkabel oder die Beleuchtung als auch. Senden Sie das Gerät in diesen Fällen an unser Servicecenter .

37 . Die Mikrowelle ist zum Auftauen bestimmt , Kochen und Dünsten von Lebensmitteln nur .

38 . Benutzen Sie Handschuhe , wenn Sie irgendeine erhitzten Lebensmitteln zu entfernen.

39 . Achtung! Dampf entweicht beim Öffnen Deckel oder Folie einwickelt .

40 . Dieses Gerät kann von Kindern ab 8 Jahren und darüber verwendet werden und Personen mit eingeschränkten physischen, sensorischen oder geistigen Fähigkeiten oder mangels Erfahrung und Wissen, wenn sie wurden Aufsicht oder ausführliche Anleitung zur Benutzung des Geräts in einer sicheren Weise gegeben und verstehen die Gefahren beteiligt. Kinder dürfen nicht mit dem Gerät spielen. Reinigung und Wartung durch

den Benutzer ist nicht von Kindern gemacht werden, wenn sie von 8 Jahren und überwachten Jahre alt sind .
41 . Wenn Rauch emittiert wird , auszuschalten oder den Netzstecker ziehen und die Tür geschlossen halten , um zu ersticken

ACHTUNG: ES IST GEFAEHRlich REPARATURARBEITEN ZU MACHEN WENN SIE NICHT GEGRUENDET SIND. WENN MAN DEN DECKEL DES OFENS ENTFERNT WIRD MAN DEN MIKROWELLEN AUSGESTELLT.

WIE KOCHT MAN MIT DEM MIKROWELLENOFEN

- 1.STELLEN SIE DIE SPEISEN SORGFAELLTIG IN DEN OFEN, DIE DICKERE SCHICHT GEGEN AUSSEN DES REZIPIENTS.
- 2.SCHAUEN SIE AUF DIE WAERME ZEIT. WAERMEN SIE DIE SPEISEN WIE AUF DER VERPACKUNG HINGEWISEN IST. WENN DIE SPEISEN ZU LANG GEWAERMT WERDEN KOENNEN SIE VERBRENNEN.
- 3.DECKEN SIE DIE SPEISEN WAEHREND DES WAERMENS. SO VERMEIDEN SIE SPRITZER IM OFEN UND DIE SPEISEN WERDEN HOMOGEN GEKOCHT.
- 4.UM DAS KOCHEN ZU BESCHLEUNIGEN DREHEN SIE VOLUMINOESE SPEISEN WIE FLEISCH EINMAL UM.
- 5.REORGANISIEREN SIE BEI HALBER KOCHZEIT DIE SPEISEN, VON AUSSEN NACH INNEN UND VON OBEN NACH UNTEN.

UTENSILIENHINWEISE

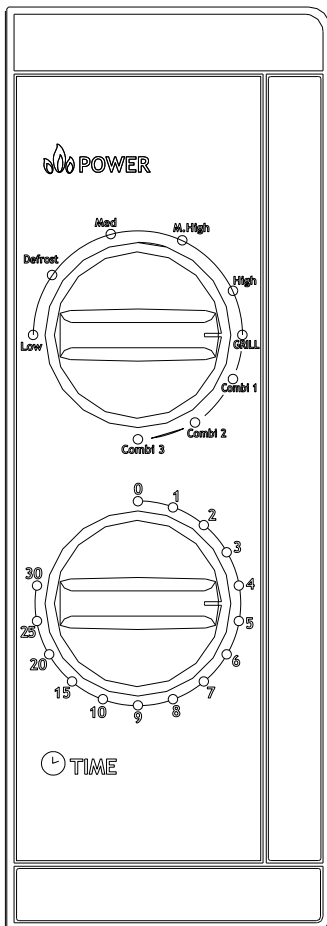
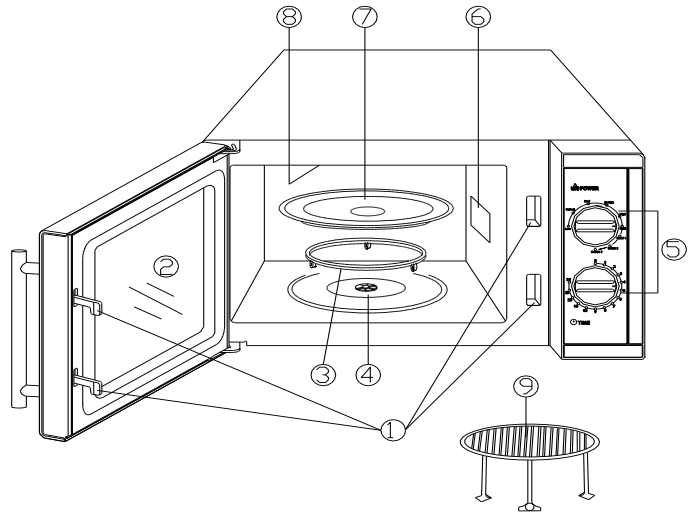
1. DAS MATERIAL DER UTENSILIEN DIE SIE IM OFEN BENUTZEN SOLLTE TRANSPARENT SEIN UM DIE ENERGIE DURCHLASSEN ZU KOENNEN.
2. DIE ENERGIE KANN METAL NICHT DURCHGEHEN, DAHER DUERFEN UTENSILIEN AUS METAL NICHT BENUTZT WERDEN.
3. BENUTZEN SIE KEINEN UTENSILIEN AUS WIEDERVERWERTETEN PAPIER DA ES KLEINE METALSTUECKE BEINHALTEN KOENNTE UND EINEN BRAND VERURSACHEN KOENNTE.
4. WIR EMPFEHLEN OVALE ODER RUNDE UTENSILIEN, BESSER ALS VIERECKIGE UTENSILIEN. DIE SPEISEN WERDEN BESSER GEKOCHT.
5. SCHMALE STREIFEN AUS ALUMINIUMFOLIE KOENNEN BENUTZT WERDEN. SEIEN SIE VORSICHTIG NICHT ZU VIEL ALUMINIUM ZU BENUTZEN UND EINEN MINIMALEN ABSTAND VON 2.54 CM VON DER INNENWAND DES OFENS UND DES ALUMINIUMS ZU HALTEN.

DIE LISTE HIER ZEIGT EINIGE UTENSILIEN DIE SIE BENUTZEN KOENNEN ODER NICHT.

Utensilien	Mikrowelle	Grill	Kombiniert
Glas hitzebestaendig	Ja	Ja	Ja
Glas nicht hitzebestaendig	Nein	Nein	Nein
Keramik hitzebestaendig	Ja	Ja	Ja
Plastikbehaelter	Ja	Nein	Nein
Kochpapier	Ja	Nein	Nein
Metalbehaelter	Nein	Ja	Nein
Aluminium Papier	Nein	Ja	Nein

TEILE

1. Sicherheitssystem
2. Fenster
3. Stützplatte
4. Achse
5. Bedientafel
6. Ventilation
7. Glassteller
8. Grill
9. Metalstuetze



BEDIENTAFEL

"COMBI 1, 2 COMBI, COMBI 3" GEEIGNET FÜR BACKOFEN KOMBINATION MIKROWELLE UND GRILL. DIE TRANSAKTION WIRD IN DREI EBENEN MIT UNTERSCHIEDLICHEN SATZ VON POWER-DURCH DIE KOMBINATION DER NACHFOLGENDEN TABELLE ZEIGT DIE 3 VERSCHIEDENE EINSTELLUNGEN:

PROGR AMM	MIKROWELLE	GRILL	STIMMT IN FOLGENDEN LEBENSMITTELN (BEISPIEL)
COMBI.1	30%	70%	FISH
COMBI.2	49%	51%	OMELETTES
COMBI.3	67%	33%	GEFLÜGEL

DIE BEDIENTAFEL IST BESTEHT AUS ZWEI TEILEN, DER ERSTE TEIL POWER, WO MAN DIE KOCH INTENSITAET EINSTELLT UND DER ZWEITE WO MAN DIE ZEIT EINSTELLT.

ZEITEGEBER

MIT DEM ZEITGEBER STELLT MAN DIE ZEIT EIN DIE MAN KOCHEN ODER HEIZEN WILL. DREHEN SIE DEH SCHALTER NACH RECHTS. DIE MAXIMALE WAERME ODER KOCHZEIT IST 30 MINUTEN.

KOCHEN

DER OFEN HAT 5 LEISTUNGSSTUFEN. WAEHLEN SIE DIE LEISTUNGAUS INDEM SIE DEN KNOP NACH RECHTS DREHEN.

	LEISTUNG	BESCHREIBUNG
1	18% OF TOTAL	LOW
2	36	DEFROST
3	58	MEDIUM
4	81	M. HIGH
5	100	HIGH

GRILL

UM DIE GRILL FUNKTION GRILL ZU BENUTZEN MUESSEN DIE LEISTUNG 5 WAEHLEN. MIT DER LEISTUNG KOENNE SIE FLEISCH, WUERSTE, HUENCHEN UND STEAKS GRILLIEREN. SIE KOENNE DIE LESITUNG AUCH FUER SANDWICHES ODER GRATINS BENUTZEN.

HINWEIS: Wenn die Zeit ablaeuft und der Zeitanzeiger unter Zwei Minuten ist koennen Sie ihn wieder an die die gewuenschte Zeit einstellen.

ACHTUNG: STELLEN SIE DIE ZEITANZEIGE IMMER AUF NULL WENN SIE DEN OFEN NICHT MEHR BENUTZEN. UM DEN OFEN WAEHREND DES WAERMENS ANZUHALTEN OEFFNENE SIE DIE TUER.

REINIGUNG

1. VOR DEM REINIGEN STELLEN SIE DEN OFEN AUS UND STECKEN SIE DEN STECKER AUS DEM NETZ.
2. WISCHEN SIE ESSENSRESTE VON DEN INNEWAENDEN MIT EINEM FEUCHTENTUCH WEG. SIE KOENNE AUCH SEIFE BENUTZEN, VERMEIDEN SIE SCHEUERMITTEL.
3. DIE AUSSENWAENDE SOLLTEN AUCH MIT EINEM FEUCHTEN TUCH GEREINIGT WERDEN. DAS WASSER SOLLTE NICHT DURCH DEN INNEREN GRILL GEHEN.
4. WISCHEN SIE REGELMAESSIG DAS FENSTER, DIE TUERE, DAS SIEGEL UM ESSENSRESTE ZU ENTFERNEN.
5. LASSEN SIE NICHT DAS WASSER AN DIE BEDIENTAFEL UND LASSEN SEIDIE TUER OFFEN UN ZU VERMEIDEN DAS DER OFEN AN GEHT.
6. BEI DAMPFENTSTEHUNG WISCHEN SIE MIT EINEM TUCH DIE FEUCHTIGKEIT WEG, DAS IST NORMAL BIEN HOHER LUFTFEUCHTIGKEIT.
7. AB UND ZU IST ES NOETIG DEN GLASSTELELR ZU ENTFERNENE UM IHN ZU WASCHEN. SIE KOENNE IHN IN DER SPUELMASCHINE WASCHEN.
8. DER DREHRING SOLLTE AUCH GEREINIGT WERDEN UM MOEGLICHEN LAERM ZU VERMEIDEN.

DER DREHRING KANN AUCH IN DER SPUELMASCHINE GEWASCHEN WERDEN. STELLEN SIE DEN DREHRING WIEDER IN DER KORREKTEN POSITION EIN.

9.UM DIE GERUECHE VON DER MIKROWELLE LOSZUWERDEN STELLEN SIE EIN REZIPIENT MIT WASSER UN ZITRONE UND MACHEN SIE DEN OFEN 5 MINUTEN AN. REINIGEN SIE DAN WIE UEBLICH.

10.WENN ES NOETIG IST DAS LICHT ZU WECHSELN KONTAKTIEREN SIE DEN VERKAUFER.

ACHTUNG:

WERFEN SIE NICHT DIESES PRODUKT, WIE ES MIT ANDEREN HAUSHALTSPRODUKTEN HAT. ES GIBT EINE MÜLLTRENNUNGS VON DIESEM PRODUKT IN GEMEINDEN, SIE MÜSSEN IHRE LOKALEN BEHÖRDEN ÜBER DIE ORTE, WO MAN DIESES PRODUKT ZURÜCKGEBEN KÖNNEN ZU INFORMIEREN. IN DER TAT ENTHALTEN ELEKTRISCHE UND ELEKTRONISCHE PRODUKTE GEFÄHRLICHE STOFFE, DIE SCHÄDLICHE AUSWIRKUNGEN AUF DIE UMWELT ODER DIE MENSCHLICHE GESUNDHEIT HABEN UND SOLLTE RECYCELT WERDEN. DAS SYMBOL HIER DARAUF HINWEISEN, DASS ELEKTRISCHE ODER ELEKTRONISCHE GERÄTE SOLLTEN SORGFÄLTIG AUSGEWÄHLT WERDEN, IST EIN FAHRBARER ABFALLBEHÄLTER MIT EINEM KREUZ MARKIERT.



HERGESTELLT UND IMPORTIERT: ADEVA SAS 8 RUE MARC SEGUIN 77290 MITRY-MORY FRANCE
WWW.HKOENIG.COM - CONTACT@HKOENIG.COM - TEL. 01 64 67 00 01

NEDERLANDS

VOORZORGSMAATREGELEN: MOGELIJKE BLOOTSTELLING VAN DE MAGNETRON VERMIJDEN

LEES DEZE INSTRUCTIES VOOR INSTALLATIE VOOR DAT U DE OVEN GAAT GEBRUIKEN.

LET OP DE ONDERSTAANDE SERIENUMMER VERMELD OP DE PLAAT VAN DE OVEN EN BEWAAR DEZE INSTRUCTIES BIJ VOOR TOEKOMSTIG GEBRUIK.

SERIENUMMER:

1. PROBEER NOOIT IETS IN DE OVEN TE ZETTEN OF DE DEUR TE OPENEN ALS DE MAGNETRON IN WERKING STAAT, U KUNT SCHADE OPLOPEN DOOR DE BLOOTSTELLING VAN MICROGOLVEN. MAAK ALTIJD GEBRUIK VAN HET BEVEILIGINGSSYSTEEM.
2. PLAATS GEEN VOORWERPEN VOOR DE DEUR VAN DE OVEN. PRODUCTEN OF STOF DIE ZICH OP DE OPPERVLAKTE VAN DE SLUITINGSZONE OPSTAPELEN VERWIJDEREN.
3. GEBRUIK DE OVEN NIET ALS DEZE BESCHADIGT IS. HET IS ZEER BELANGRIJK DAT DE DEUR VAN DE OVEN GOED GESLOTEN IS EN DAT DE VOLGENDE TOEBEHOREN GEEN ENKEL GEBREK PRESENTEREN OF BESCHADIGT ZIJN:
 - a. DEUR (GESLUIERD),
 - b. SCHARNIEREN EN GRENDELS (LOS OF ONTSPANNEN)
 - c. AFDICHTING VAN DE DEUR EN OPPERVLAKTE VAN HET VERBINDINGSSTUK.
4. PROBEER NOOIT HET APPARAAT ZELF TE REPAREREN, DIT MOET ALTIJD DOOR DE TECHNISCHE DIENST OF EEN ELEKTRICIEN UITGEVOERD WORDEN.

SPECIFICATIES

ENERGIEVERBRUIK:	230-240V~50HZ, 1400W(MICRO-ONDES) 1000W(GRILL)
UITGANGSVERMOGEN VAN DE MAGNETRON:	900W
WERKFREQUENTIE:	2450MHZ
UITWENDIGE AFMETINGEN:	281MM(H) x483MM(W)x398MM(D)
AFMETING VAN DE HOLTE VAN DE MAGNETRON:	220MM(H) x340MM(W)x320MM(D)
CAPACITEIT OVEN-MAGNETRON:	23 LITERS
EENHEID VAN KOKEN:	DRAAITAFEL SYSTEEM {Φ270MM}
NETTO GEWICHT:	ONGEVEER.14.1 KG.

ALS DE MAGNETRON NIET WERKT:

CONTROLEER OF DE OVEN AANGESLOTEN IS. ZONIET, VERWIJDER DE STEKKER UIT DE BASIS OF HET STOPCONTACT. WACHT 10 SEKONDEN EN PROBEER HET OPNIEUW.

1. CONTROLEER OF DE HOOFDZEKERING IS GESPRONGEN. ALS ZE NIET ZIJN VERPLAATST, CONTROLEER OF DE STOPCONTACT HET GOED DOET DOOR HET APPARAAT VOOR DE VERIFICATIE AAN TE SLUITEN.
2. CONTROLEER OF HET BESTELLINGSPANEEL GOED IS GEPROGRAMMEERD EN OF DE TIMER GEACTIVEERD IS.
3. CONTROLEER OF DE DEUR EN DE VEILIGHEIDMECHANISME GOED GESLOTEN ZIJN. ZONIET, ZAL DE MAGNETRON ENERGIE NIET DOOR DE OVEN STROMEN.

ALS DEZE MAATREGELEN DE SITUATIE NIET GAAN CORRIGEREN, KUNT U MET DE TECHNISCHE DIENST KONTAKT OPNEMEN. PROBEER NOOIT HET APPARAAT ZELF TE HERSTELLEN.

VOOR DAT U KONTAKT MET DE TECHNISCHE DIENST OPNEEMT

INSTALLATIE

- ZORG ERVOOR DAT U HET VERPAKKINGS MATERIAAL VOLLEDIG HEEFT VERWIJDERT OOK OP DE BINNENKANT.
- LET OP: CONTROLEER DE OVEN VOOR FOUTEN, BIJVOORBEELD OF DE DEUR UIT DE KOM IS VERDRAAID, OF ALS DE AFDICHTING VAN DE DEUR BESCHADIGT IS, OF DAT DE DEUR SCHARNIEREN LOS HANGEN. IN HET GEVAL VAN SCHADE, DE OVEN NIET GEBRUIKEN. NEEM ONMIDDELIJK KONTAKT MET DE TECHNISCHE DIENST OP.
- DE MAGNETRON MOET OP EEN VLAKKE, STABIELE ONDERGROND STAAN DIE HET GEWICHT EN HET MAXIMUMGEWICHT KUNNEN DRAGEN.
- PLAATS HET APPARAAT NOOIT DICHTBIJ WARTMEBRONNEN, VOCHTIGHEID OF BRANDBARE MATERIALEN.
- VOOR HET JUISTE GEBRUIK, MOET DE OVEN VOLDOENDE TOEGANG TOT LUCHT HEBBEN. VOORZIE DE OVEN MET EEN RUIMTE VAN 20CM BOVEN DE OVEN, 10CM ACHTER EN 5CM OP DE KANTEN. BLOKKEER DE OPENING VAN HET APPARAAT NOOIT EN NEEM DE VOETEN NIET UITELKAAR.
- ZET HET APPARAAT NIET IN WERKING ZONDER HET GLAS DRAAIBLAD OP DE CIRCULATIE STEUN IN DE JUISTE POSITIE VASTGEZET TE HEBBEN.

- VERMIJD SCHADE VAN HET KABEL DOOR HET NIET VAN DE AANRECHT TE LATEN SLINGEREN, ONDER DE OVEN TE LEGGEN EN OP WARME OF SCHERPE OPPERVLAKTEN TE ZETTEN.
- DE STEKDOOS MOET OP EEN GEMAKKELIJKE PLEK GEPLAATST WORDEN ZODAT HET IN HET GEVAL VAN URGENTIE MAKKELIJK IS OM UIT TE SCHAKELEN.
- GEBRUIK HET APPARAAT NOOIT BUITENS HUIS.

INSTRUCTIES VOOR AARDING

DIT APPARAAT MOET OP EEN GEAARDE VERBINDING AANGESLOTEN WORDEN. DE EG OVEN WERD VOORZIEN VAN EEN GEAARDE DRAAD DIE OP EEN MASSA ELEKTRODE MOET WORDEN AANGESLOTEN. DEZE STEKKER MOET JUUST OP EEN GEAARDE CONTRASTEKKER AANGESLOTEN WORDEN. IN HET GEVAL VAN KOORTSLUITING, VERMINDERT DE AARDVERBINDING HET RISICO VAN ELEKTRISCHE SCHOK OMAT DAT HET EEN UITPUT VOOR ELEKTRISCHE STROOM LEVERT. DE CONTRASTEKKER WORDT ALLEEN VOOR DIT APPARAAT AANBEVOLEN. HET GEBRUIK VAN EEN HOGE VOLTAGE IS GEVAARLIJK EN KAN BRANDEN OF ANDERE ONGEVALLLEN VEROORZAKEN DIE DE WERKING VAN DE OVEN KUNNEN VERSLECHTEREN.

ATTENTION: HET ONJUUSTE GEBRUIK VAN DE MASSA ELEKTRODE KAN ELEKTRISCHE SCHOK VEROORZAKEN.

OPMERKING:

1. ALS U TWIJFELS OVER DE AARDVERBINDING OF DE ELEKTRISCHE INSTRUCTIES HEEFT, RAADPLEEG EEN ELEKTRICIEN OF DE TECHNISCHE DIENST.
2. NOCH DE FABRIKANT NOCH DE TUSSENHANDELAAR ZIJN VERANTWOORDELIJK VOOR SCHADEVERGOEDING AAN DE PERSONEN DIE DE AANWIJZINGEN VAN ELEKTRISCHE VERTAKKINGEN NIET HEBBEN GEVOLGT.

DE DRADEN VAN HET HOOFDKABEL KOMEN IN DE VOLGENDE KLEUREN CODES:

GROEN EN GEEL = GEAARD

BLAUW = RETOUR

BRUIN = FASE

INTERFERENTIE RADIOFREQUENTIE

DE WERKING VAN DE OVEN KAN DE ONTVANGST VAN RADIO, TV OF GELIJKSOORTIGE APPARATEN VERWARREN. DEZE INTERFERENTIE KAN VERMINDERED OF UITGESCHAKELD WORDEN DOOR DE VOLGENDE MAATREGELEN TE TREFFEN:

1. MAAK DE DEUR VAN DE OVEN HET HET VERBINDINGSSTUK SCHOON.
2. DRAAI DE ANTENNE VAN HET RADIO OF DE TELEVISIE.
3. ZET DE MICROGOLVEN TEN OPZICHTE VAN DE ONTVANGER TERUG.
4. PLAATS DE MICROGOLVEN VER VAN DE ONTVANGER.
5. SLUIT DE MICROGOLVEN OP EEN ANDERE PLAATS AAN EN DE ONTVANGER OOK OP EEN ANDERE PLAATS.

BELANGRIJKE VEILIGHEIDSINSTRUCTIES

ALS U ELEKTRISCHE APPARATEN GAAT GEBRUIKEN MOET U FUNDAMENTELE VEILIGHEIDSVOORZORGINGEN TREFFEN:

ATTENTIE: OM RISICO VAN BRANDWONDEN, ELEKTRISCHE SCHOK, BRAND EN VERWONDINGEN TE VERMINDEREN DE ENERGIE VAN MICROGOLVEN VERLENGEN:

- 1 . ALS HET SNOER BESCHADIGD IS , MOET HET WORDEN VERVANGEN DOOR DE FABRIKANT , ZIJN SERVICEDIENST OF EEN GELIJKWAARDIG GEKWALIFICEERD PERSOON OM GEVAAR TE VOORKOMEN .
- 2 . WAARSCHUWING : LAAT KINDEREN DE OVEN ALLEEN ZONDER TOEZICHT GEBRUIKEN ALS ZE VOLDOENDE INSTRUCTIES HEBBEN GEKREGEN , ZODAT HET KIND IN STAAT IS DE OVEN OP EEN VEILIGE MANIER EN BEGRIJPT DE GEVAREN VAN ONJUIST GEBRUIK .
- 3 . WAARSCHUWING : WANNEER HET APPARAAT WORDT GEBRUIKT IN DE COMBINATIE MODE , MOGEN KINDEREN DE OVEN ALLEEN GEBRUIKEN ONDER TOEZICHT VAN EEN VOLWASSENE VANWEGE DE GEGENEREERDE TEMPERATUREN .
- 4 . BIJ HET VERWARMEN VAN VOEDSEL IN PLASTIC OF PAPIER CONTAINER , HOUDEN EEN OOG OP DE OVEN ALS GEVOLG VAN DE MOGELIJKHEID VAN EEN ONTSTEKING .
- 5 . ALS ER ROOK WORDT WAARGENOMEN , SCHAKELT UIT, OF TREK HET STOPCONTACT EN HOUD DE DEUR DICHT OM EVENTUELE VLAMMEN TE DOVEN .
- 6 . WAARSCHUWING : VLOEIBARE OF ANDERE VOEDINGSMIDDELEN MOGEN NIET WORDEN VERWARMD IN EEN AFGESLOTEN VERPAKKING , OMDAT ZE KUNNEN ONTPLOFFEN .
- 7 . MAGNETRON VERWARMEN VAN DRANK KAN LEIDEN TOT KOOKPUNT BEREIKEN , DUS ZORG MOET WORDEN GENOMEN BIJ HET OMGAAN MET DE CONTAINER.

- 8 . WAARSCHUWING : EIEREN IN HUN SCHAAL EN HELE HARDGEKOOKTE EIEREN MOGEN NIET WORDEN OPGEWARMD IN DE MAGNETRON, WANT ZE KUNNEN ONTPLOFFEN , ZELFS NADAT VERWARMD IN DE MAGNETRON .
- 9 . WAARSCHUWING : DE INHOUD VAN ZUIGFLESSEN EN POTJES MOET WORDEN GEROERD OF GESCHUD EN DE TEMPERATUUR MOET WORDEN GECONTROLEERD ALVORENS TE SERVEREN , OM BRANDWONDEN TE VOORKOMEN .
- 10 . KEUKENGEREI WORDEN GECONTROLEERD OF ZE GESCHIKT ZIJN VOOR GEBRUIK IN MAGNETRON .
- 11 . WAARSCHUWING : HET IS GEVAARLIJK VOOR IEMAND ANDERS DAN EEN GETRAIND PERSOON VOOR HET UITVOEREN VAN ONDERHOUD OF REPARATIE , DIE DE VERWIJDERING VAN EEN BEHUIZING, DIE BESCHERMING BIEDT TEGEN BLOOTSTELLING AAN MICROGOLVEN GAAT .
- 12 . DE OVEN MOET REGELMATIG WORDEN SCHOONGEMAAKT EN ALLE ETENSRESTEN VERWIJDERD .
- 13 . ALS DE OVEN NIET SCHOON GEHOUDEN WORDT, KAN LEIDEN TOT EEN VERSLECHTERING VAN DE OPPERVLAKE DIE EEN NEGATIEVE INVLOED KUNNEN DE LEVENSDUUR VAN HET APPARAAT EN MOGELIJK RESULTEREN IN EEN GEVAARLIJKE SITUATIE ,
- 14 . WAARSCHUWING - ALS DE DEUR OF DE AFDICHTINGEN BESCHADIGD ZIJN , MAG DE OVEN NIET WORDEN BEDIEND TOTDAT HET IS GEREPAREERD DOOR EEN ERVAREN PERSOON .
- 15 . " DIT PRODUCT IS EEN GROEP 2 ISM- APPARATUUR VAN KLASSE B . DE DEFINITIE VAN GROEP 2 DIE ALLE ISM (INDUSTRIËLE , WETENSCHAPPELIJKE EN MEDISCHE) APPARATUUR WAARIN RADIOFREQUENTE ENERGIE WORDT OPGEWEKT OPZETTELIJK EN / OF IN DE VORM VAN ELEKTROMAGNETISCHE STRALING VOOR DE BEHANDELING VAN MATERIAAL EN VONKEROSIE APPARAAT BEVAT . VOOR APPARATUUR VAN KLASSE B -APPARATUUR GESCHIKT VOOR GEBRUIK IN WONINGEN EN IN INRICHTINGEN DIE RECHTSTREEKS ZIJN AANGESLOTEN OP EEN LAAG VOLTAGE VOEDING NETWERK DAT GEBOUWEN DIE VOOR HUISHOUDELIJK DOELEINDEN " LEVERT .
- 16 . GELIEVE U DIT APPARAAT NIET WEGGOOIEN BIJ HET NORMALE VUILNISBAK , MOET WORDEN AFGEVOERD NAAR HET SPECIFIEKE VERWIJDERINGS CENTRUM VERSTREKT DOOR DE GEMEENTEN .
- 17 . DE MAGNETRON WORDT ALLEEN GEBRUIKT IN VRIJSTAANDE .
- 18 . WAARSCHUWING: OVEN OVER EEN BEREIK KOOKPLAAT OF ANDERE WARMTE - PRODUCERENDE APPARAAT NIET . ALS INTALLED KUNNEN WORDEN BESCHADIGD EN DE WAREANTY ZOU WORDEN VOLD .
- 19 . HET BEREIKBARE OPPERVLAKE KAN HEET TIJDENS HET GEBRUIK .
- 20 . DE MAGNETRON MAG NIET WORDEN GEPLAATST IN EEN KAST .
- 21 . DE DEUR OF HET BUITENSTE OPPERVLAKE KAN HEET WORDEN ALS HET APPARAAT IN WERKING IS .
- 22 . DE TEMPERATUUR VAN DE TOEGANKELIJKE OPPERVLAKKEN KAN HOOG ZIJN ALS HET APPARAAT IN WERKING .

- 23 . DIT APPARAAT IS NIET BEDOELD VOOR GEBRUIK DOOR PERSONEN (INCLUSIEF KINDEREN) MET BEPERKTE LICHAAMELIJKE, ZINTUIGLIJKE OF GEESTELIJKE VERMOGENS , OF GEBREK AAN ERVARING EN KENNIS , TENZIJ ZE ONDER TOEZICHT STAAN OF GEÏNSTRUEERD OVER HET GEBRUIK VAN HET APPARAAT DOOR EEN PERSOON DIE VERANTWOORDELIJK IS VOOR HUN VEILIGHEID .
- 24 . KINDEREN MOETEN ONDER TOEZICHT STAAN OM ERVOOR TE ZORGEN DAT ZE NIET MET HET APPARAAT SPELEN .
- 25 . HET APPARAAT MOET WORDEN GEPLAATST TEGEN EEN MUUR .
- 26 . APPARAAT MAG NIET WORDEN GEBRUIKT DOOR KINDEREN OF PERSONEN MET VERMINDERDE LICHAAMELIJKE, ZINTUIGLIJKE OF GEESTELIJKE VERMOGENS , OF GEBREK AAN ERVARING EN KENNIS , TENZIJ ZE ONDER TOEZICHT STAAN OF INSTRUCTIES
- 27 . KINDEREN ONDER TOEZICHT OM NIET TE SPELEN MET HET APPARAAT
- 28 . APPARATEN NIET BESTEMD VOOR HET GEBRUIK DOOR MIDDEL VAN EEN EXTERNE TIMER OF AFZONDERLIJKE AFSTANDBEDIENING
- 29 . WAARSCHUWING : ALS DE DEUR OF DE AFDICHTINGEN BESCHADIGD ZIJN , MAG DE OVEN NIET WORDEN BEDIEND TOTDAT HET IS GEREpareerd DOOR EEN BEVOEGD PERSOON
- 30 . DE OVEN MOET REGELMATIG WORDEN SCHOONGEMAAKT EN ALLE VOEDSELRESTEN VERWIJDERD
- 31 . ALS DE OVEN NIET SCHOON GEHOUDEN WORDT, KAN LEIDEN TOT EEN VERSLECHTERING VAN DE OPPERVLAKTE DIE EEN NEGATIEVE INVLOED KUNNEN DE LEVENSDUUR VAN HET APPARAAT EN MOGELIJK RESULTEREN IN EEN GEVAARLIJKE SITUATIE
- 32 . APPARATEN ZIJN NIET BEDOELD VOOR HET GEBRUIK DOOR MIDDEL VAN EEN EXTERNE TIMER OF AFZONDERLIJKE AFSTANDBEDIENINGSSTELSEL .
- 33 . DE MAGNETRON IS VOOR HUISHOUDELIJK GEBRUIK EN NIET VOOR COMMERCIEEL GEBRUIK .
- 34 . VERWIJDER NOOIT DE HOUDER AFSTAND IN DE RUG OF AAN DE ZIJKANTEN , OMDAT HET ZORGT VOOR EEN MINIMALE AFSTAND TOT DE MUUR VOOR LUCHTCIRCULATIE .
- 35 . GELIEVE TE VERZEKEREN DE DRAAITAFEL VOORDAT U HET APPARAAT VERPLAATST OM SCHADE TE VOORKOMEN .
- 36 . OPGELET : HET IS GEVAARLIJK HERSTELLEN OF HANDHAVEN VAN DE MACHINE DOOR NIEMAND DE SPECIALIST OMDAT ONDER DEZE OMSTANDIGHEDEN DE AFDEKKING MOET WORDEN VERWIJDERD DIE BESCHERMING BIEDEN TEGEN MICROGOLFSTRALING VERZEKERT . DIT GELDT VOOR HET VERVANGEN VAN HET NETSNOER OF DE VERLICHTING OOK. STUUR HET APPARAAT IN DEZE GEVALLEN OM ONZE SERVICE CENTER .
- 37 . DE MAGNETRON IS BEDOELD VOOR HET ONTDOOIEEN , KOKEN EN STOMEN VAN VOEDSEL ALLEEN .
- 38 . GEBRUIK HANDSCHOENEN ALS U EEN VERWARMD VOEDSEL TE VERWIJDEREN .
- 39 . VOORZICHTIG ! STOOM ONTSNAPT , BIJ HET OPENEN VAN DEKSELS OF WIKKELFOLIE .
- 40 . DIT APPARAAT KAN WORDEN GEBRUIKT DOOR KINDEREN VAN 8 JAAR EN OUDER EN

PERSONEN MET VERMINDERDE LICHAMELIJKE , ZINTUIGLIJKE OF GEESTELIJKE VERMOGENS OF GEBREK AAN ERVARING EN KENNIS ALS ZE ONDER TOEZICHT STAAN OF WORDEN GEÏNSTRUEERD OVER HET GEBRUIK VAN HET APPARAAT OP EEN VEILIGE MANIER EN BEGRIJPEN VAN DE GEVAREN BETROKKEN . KINDEREN MOGEN NIET MET HET APPARAAT SPELEN . REINIGING EN HET ONDERHOUD WORDT NIET GEDAAN DOOR KINDEREN , TENZIJ ZE DE LEEFTIJD VAN 8 JAAR EN OUDER EN ONDER TOEZICHT .

41 . ALS ER ROOK WORDT UITGESTOTEN , UITSCHAKELEN OF DE STEKKER UIT HET STOPCONTACT EN HOUD DE DEUR DICHT OM TE VERSTIKKEN

HOE FUNCTIONEERT DE MAGNETRON

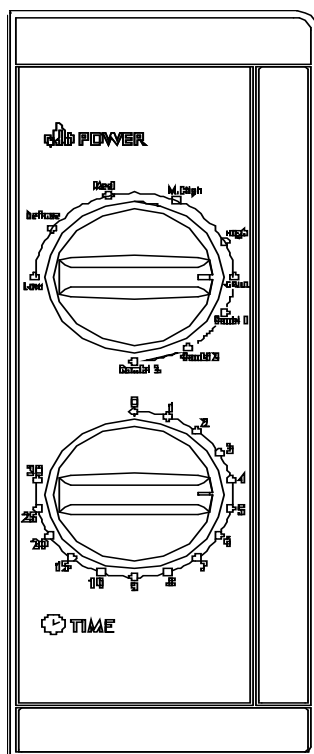
1. PLAATS HET ETEN VOORZICHTIG. ZET DE GROOTSTE DELEN VAN HET ETEN AAN DE RANDEN VAN DE CONTAINER.
2. OBSERVEER DE KOOKTIJD.LAAT HET ETEN OP DE MINIMALE KOOKTIJK KOKEN, LANGER INDIEN NODIG. ALS DE VOEDINGSMIDDELEN TE INTENSIEF WORDEN GEKOOKT KUNNEN ZE IN BRAND BARSTEN.
3. HET VOEDSEL TIJDENS HET KOKEN AFDEKKEN OM SPETTERS TE VERMIJDEN HET HET MOGELIJK TE MAKEN OP HOMOGENE WIJZE TE KOKEN.
4. OM HET KOKEN TE VERSNELLEN, BRENG ETEN ZOALS BIEFSTUK EN KIP VAN TE VOREN AL EEN KEER AAN DE KOOK.
5. VERPLAATS ETEN ZOALS GEHAKTBALLEN TIJDENS HET KOOK PROCESS EEN KEER VAN DE BOVEN PLANK NAAR DE LAAGSTE.

GIDS VAN TOEBEHOR

1. HET IDEALE MATERIAAL VOOR DE MAGNETRON MOET TRANSPARENT ZIJN OM DE ENERGIE EN DE HITTE AAN HET ETEN DOOR TE LATEN.
2. DE MICROGOLFEN ENERGIE KAN NIET TOT METALEN KEUKENGEREI DOORDRINGEN GEBRUIK DUS GEEN METALEN CONTAINERS OF KEUKEGEREI MET METALEN RANDEN.
3. GEBRUIK GEEN PRODUCTEN VAN GERECYCLED PAPIER IN DE MAGNETRON OMDAT ZE KLEINE STUKJES METAAL BEVATTEN DIE TOT VONKEN OF VLAMMEN KUNNEN LEIDEN.
4. WIJ RADEN U AAN OVALE/RONDE CONTAINERS TE GEBRUIKEN OMDAT VOEDSEL DE NEIGING HEEFT OM IN DE HOEKEN MEER TE GAAN KOKEN.
5. U KUNT SMALLE STROKEN VAN ALUMINIUM FOLIE GEBRUIKEN. WEES VOORZICHTIG DAT U NIET TE VEEL FOLIE GEBRUIKT EN HOUDT EEN AFSTAND VAN 2.54 CM TUSSEN DE HOLTE EN DE FOLIE.

DE ONDERSTAANDE LIJST IS EEN ALEGEMEENE GIDS OM HET JUISTE GEREEDSCHAP TE SELECTEREN.

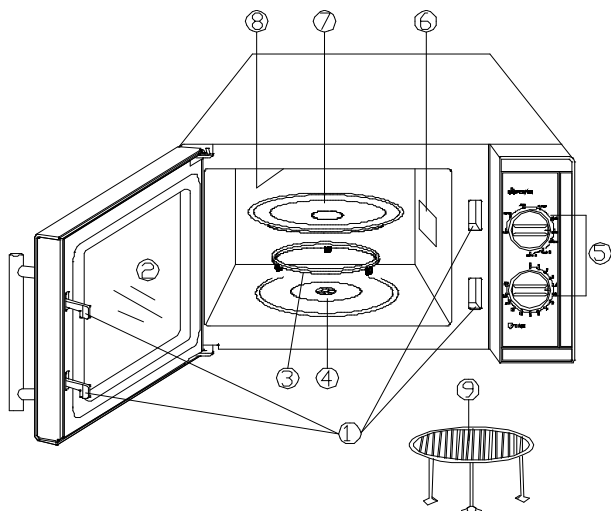
TOEBEHOREN	MAGNETRON	GRILL	COMBINATIE
HITTEBESTENDIG GLAS	JA	JA	JA
GLAS NIET HITTEBESTENDIG	NEE	NEE	NEE
HITTEBESTENDIG KERAMIEK	JA	JA	JA
PLASTIC SCHOTEL GESCHIKT VOOR MAGNETRON	JA	NEE	NEE
BAKPAPIER	JA	NEE	NEE
METALEN DIENBLAD	NEE	JA	NEE
METALEN REK	NEE	JA	NEE
PAPIER ALUMINIUM	NEE	JA	NEE



"COMBI 1, 2 COMBI, COMBI 3" geschikt voor het bakken oven combinatie magnetron en grill. De transactie wordt ingedeeld in drie niveaus met verschillende SET van de macht door het combineren van de volgende tabel worden de drie verschillende instellingen:

PROGR AMMA	MAGNETRON	GRILL	INSTEMT MET DE VOLGENDE FOODS (VOORBEELD)
COMBI.1	30%	70%	FISH
COMBI.2	49%	51%	OMELETTES
COMBI.3	67%	33%	GEVOGELTE

NAMEN VAN DE DELEN



- 1. VEILIGHEIDSSYSTEEM
- 2. VENSTER
- 3. STEUNPLAAT
- 4. AS
- 5. CONTROLEPANEEL
- 6. VENTILATIE
- 7. GLAZEN BLAD
- 8. HETE GRILL
- 9. METALEN STEUN

DE EERSTE POWER DIE MET DE MACHT VAN KOKEN OVEREENSTEMT EN DE TWEEDE DIE MET DE TIMER OVEREENKOMT.

DE TIMER

DE KNOOP VAN DE TNER MAAKT HET MOGELIJK DE TIJD VAN KOKEN TE SELECTEREN EN IN WERKING TE STELLEN.

ALS U DE TIMER HEEFT GEZET, RICHT DE KNOOP NAAR RECHTS. DE MAXIMALE TIJD VAN KOKEN BEDRAAGT 30 MINUTEN.

KOKEN

ER ZIJN VIJF NIVEAUS VAN KOKEN. HET IS BELANGRIJK DAT DE MACHT VAN KOKEN OVEREENSTEMT MET DE SCHOTEL/CONTAINER. ALS U DE MACHT HEEFT VERHOOGT KUNT U DE KNOOP NAAR RECHTS RICHTEN.

DE NIVEAUS KUNNEN ZOALS IN DE TABEL HIERONDER AANGEGEVEN INGEDEELD WORDEN :

	MACHT	BESCHRIJVING
1	18% VAN TOTAAL	LAAG
2	36	ONTDOOIEN
3	58	MEDIUM
4	81	M HOOG
5	100	HOOG

GRILL

OM DE GRILL TE SELECTEREN MOET U HET HOOGSTE NIVEAU KIEZEN. DE GRILL FUNCTIE IS IDEAAL OM FIJNE GEDEELTEN VAN VLEES, WORST, KIP, BRAADSPITTEN OF STEAKS TE KOKEN. U KUNT DE GRILL OOK VOOR EEN WARME BOTERHAM OF GRATINS GEBRUIKEN.

OPMERKING : ZODRA U DE TIMER HEEFT GESELECTEERD BEGINT DE OVEN MET KOKEN. ALS DE GESELECTEERDE TIJD MINDER DAN 2 MINUTE BEDRAGT, ZET DE TIMER OP MEER DAN TWEE MINUTED EN REGEL DE TIMER VERVOLGENS OPNIEUW.

ATTENTIE : ZET DE TIMER ALTIJD OP 0 TERUG ALS U VOEDSEL UIT DE OVENE NEEMT, OF DE OVEN NIET VERDER WORDT GEBRUIKT. OM DE OVEN TIJDENS HET KOKEN TE STOPPEN, OPEN DE DEUR.

SCHOONMAAK EN ONDERHOUD

1. VOOR DAT U DE OVEN SCHOON GAAT MAKEN, SCHAKEL DE OVEN UIT EN VERWIJDER HET KABEL VAN DE STEKDOOS.
2. ONDERHOUD UW OVEN. ALS DE WANDEN VAN DE OVEN VOL VOEDSEL SPETTERS ZIJN, KUNT U DEZE MET EEN VOCHTIG DOEK AFVEGEN. U KUNT OOK ZACHT SCHOONMAAKMIDDELEN GEBRUIKEN ALS DE OVEN ERG VUIL IS. VERMIJDT HET GEBRUIK VAN SPRAY EN AGGRESIEVE PRODUCTEN OMDAT ZE DE OPPERVLAKTE VAN DE DEUR BEVUILEN..
3. DE EXTERNE OPPERVLAKTE MOET MET EEN VOCHTIG VOD SCHOONGEMAAKT WORDEN. OM SCHADE AAN HET INTERIEUR TE VOORKOMEN,MAG HET RASTER NIET MET WATER IN AANRAKING KOMEN.
4. REGELMATIG DE DEUR, AFDICHTINGEN EN ANDERE ONDERDELEN MET EEN VOCHTIG DOEK AFVEGEN OM SPETTERS TE VEWIJDEREN.
5. LAAT HET CONTROLEPANEEL NIET MET WATER IN AANRAKING KOMEN EN LAAT DE DEUR TIJDENS DE SCHOONMAAK OPEN OM TE VERMIJDEN DAT U DE OVEN PER ONGELUK IN WERKING ZET.
6. IN HET GEVAL VAN ACCUMULATIE VAN STOOM IN OF ROND DE OVEN, MAAK HET MET EEN ZACHT DOEK SCHOON.DIT KAN GEBEUREN ALS DE OVEN ONDER STERKE VOCHTIGHEID WERKT EN IS NORMAAL.
7. AF EN TOE IS HET NOODZAKELIJK OM DE GLAS SCHAAL TE VERWIJDEREN OM SCHOON TE MAKEN. WAS DE DRAAITAFEL MET AFWASMIDDEL OF IN DE VAATWASSER.
8. DE BODEM VAN DE OVEN MOET REGELMATIG GEREINIGD WORDEN OM OVERMATIG LAWAAI TE VOORKOMEN. MAAK GEBRUIK VAN EEN DOEK MET EEN MILD SCHOONMAAKMIDDEL. DE RING VAN DE DRAAITAFEL KAN MET SCHOONMAAKMIDDEL OF IN DE VAATWASSER GEREINIGD

WORDEN. WANNEER U DE RING VAN DE HOTLE VERWIJDEERT, MAAK DE BASIS SCHOON EN ZET HET TERUG IN DE JUISTE POSITIE.

9. OM GEUREN UIT DE OVEN TE VERWIJDEREN MENG WATER MET EEN BEETJE CITROENSAP IN EEN CONTAINER GESCHIKT VOOR DE MAGNETRON EN ZET DEZE GEDURENDE 5 MINUTEN IN DE OVEN. REINIG DE OVEN GRONDIG MET EEN ZACHT DOEK.

10. WANNEER DE OVEN LICHT REPARATIE WERK BENODIGT, NEEM CONTACT OP MET EEN ELEKTRICIEN.

ATTENTIE:

DIT APPARAAT MAG NIET MET HET HUISHOUELIJK AFVAL VERWIJDEERT WORDEN.

DE GEMEENTEN HEBBEN VOOR DIT SOORT PRODUCTEN EEN SYSTEEM VASTGESTELD, U KUNT MET UW GEMEENTE CONTACT OPNEMEN OM KENNIS TE MAKEN MET HUN LOCATIES. ELEKTRISCHE ONDERWERPEN EN ELEKTRONICA BEVATTEN GEVAARLIJKE STOFFEN DIE SCHADELIJK ZIJN VOOR DE GEZONDHEID VAN MENSEN EN HET MILIEU EN MOETEN DAAROM GERECYCLED WORDEN. DIT SYMBOOL GEEFT AAN DAT HET EEN COLLECTIE VAN ELEKTRISCH EN ELEKTRONISCH APPARATEN IS EN WORDT MET EEN VUILNISBAK MET EEN KRUIS VERTEGENWOORDIGT.

GEPRODUCEERD EN GEÏMORTEERD DOOR: ADEVA SAS 8, RUE MARC SEGUIN 77290, MITRY-MORY FRANKRIJK WWW.HKOENIG.COM -

CONTACT@HKOENIG.COM – TELEFOON: 01 64 67 00 01

ESPAÑOL

POR FAVOR LEA LAS INSTRUCCIONES ANTES DE INSTALAR Y USAR ESTE HORNO MICROONDAS. PODRÁ VER EL NÚMERO DE SERIE QUE APARECE EN LA PLACA DEL HORNO MICROONDAS. MANTENGA ESTA INFORMACIÓN PARA SU USO FUTURO.
NÚMERO DE SERIE:

PRECAUCIONES PARA EVITAR UNA POSIBLE EXPOSICIÓN A LAS MICROONDAS

1. No trate de usar el microondas con la puerta abierta, puede sufrir daños debido a la exposición a las microondas. Es muy importante no manipular los sistemas de cierre de seguridad.
2. No coloque objetos delante de la puerta del microondas. No deje que el polvo o productos de limpieza se acumulen en la superficie de la zona de cierre.
3. No utilice el horno si está dañado. Es muy importante que la puerta del horno esté cerrada y que los siguientes elementos no presenten defectos y no estén dañados:
 - a. Puerta
 - b. Bisagras y pestillos (rotos o sueltos)
 - c. Sello de la puerta y superficie de la junta.
4. No repare el microondas usted mismo, esto sólo debe de ser hecho por el servicio técnico o un técnico autorizado.

ESPECIFICACIONES

CONSUMO DE ENERGÍA:	230-240V ~ 50HZ, 1400W (MICROONDAS) 1000W (GRILL)
POTENCIA DEL MICROONDAS:	900W
FRECUENCIA DE OPERACIÓN:	2450MHZ
DIMENSIONES EXTERNAS:	281MM (ALTO) X 483MM (ANCHO) X 398MM (FONDO)
DIMENSIONES DE LA CAVIDAD DEL HORNO DE MICROONDAS:	220 MM (ALTO) X 340MM (ANCHO) X 320MM (FONDO)
CAPACIDAD DEL HORNO MICROONDAS:	23 LITROS
UNIFORMIDAD DE COCCIÓN:	SISTEMA GIRATORIO {Φ270MM}
PESO NETO:	APROX. 14.1 KG.

ANTES DE LLAMAR AL SERVICIO TÉCNICO

SI EL HORNO MICROONDAS NO FUNCIONA:

ASEGÚRESE DE QUE EL HORNO ESTÉ ENCHUFADO. SI ES ASÍ, DESCONECTE EL ENCHUFE DE LA TOMA. ESPERE 10 SEGUNDOS Y LUEGO VUELVA A CONECTARLO.

1. COMPRUEBE SI EL FUSIBLE DEL DISYUNTOR O EL DISYUNTOR NO HAN SALTADO. SI ESTOS DOS ÚLTIMOS NO ESTÁN INTACTOS, COMPRUEBE SI LA TOMA FUNCIONA ENCHUFANDO OTRO DISPOSITIVO PARA VERIFICARLO.
2. COMPRUEBE QUE EL PANEL DE CONTROL ESTÉ PROGRAMADO CORRECTAMENTE Y SI EL TEMPORIZADOR ESTÁ ACTIVADO.
3. COMPRUEBE SI LA PUERTA ESTÁ CERRADA CON EL MECANISMO DE CIERRE DE SEGURIDAD. SI NO ES ASÍ, LA ENERGÍA DEL MICROONDAS NO FLUIRÁ EN EL HORNO.

SI NINGUNA DE ESTAS MEDIDAS SOLUCIONA LA SITUACIÓN, ENTONCES LLAME A UN TÉCNICO AUTORIZADO, NO INTENTE REPARAR EL HORNO POR SU CUENTA.

INSTALACIÓN

1. ASEGÚRESE DE HABER RETIRADO TODO EL MATERIAL DE EMBALAJE DEL INTERIOR.
2. ATENCIÓN: VERIFIQUE EVENTUALES FALLAS DEL HORNO MICROONDAS, POR EJEMPLO SI LA PUERTA ESTÁ DESCOLOCADA O TORCIDA, O SI LA JUNTA O EL SELLO DE LA PUERTA ESTÁN DAÑADOS O ROTOS, O QUE LA CERRADURAS Y BISAGRAS DE LA PUERTA ESTÉN ROTAS O SUELTAS. EN CASO DE DAÑOS, NO USE EL HORNO MICROONDAS Y CONTACTE DIRECTAMENTE AL SERVICIO TÉCNICO.
3. ESTE HORNO MICROONDAS SE DEBE COLOCAR SOBRE UNA SUPERFICIE PLANA Y ESTABLE QUE SOPORTE SU PESO Y EL PESO MÁXIMO DE LOS ALIMENTOS QUE SE INTRODUCAN EN ESTE ÉL.
4. NO COLOQUE EL MICROONDAS CERCA DE FUENTES DE CALOR, HUMEDAD O DE MATERIAL INFLAMABLE.
5. PARA UN CORRECTO USO, EL MICROONDAS DEBE TENER UNA ENTRADA DE AIRE. PONGA A DISPOSICIÓN UN ESPACIO DE 20 CM POR ENCIMA DEL MICROONDAS, 10 CM POR DETRÁS Y 5 CM EN LOS LATERALES. NO OBSTRUYA NI BLOQUEE LAS APERTURAS DEL DISPOSITIVO. NO DESMONTE LAS PATAS.
6. NO USE EL DISPOSITIVO SIN QUE EL PLATO GIRATORIO DE VIDRIO, LOS SOPORTES DE RODAMIENTO Y EL EJE ESTÉN EN LA POSICIÓN CORRECTA.
7. ASEGÚRESE QUE EL CABLE DE ALIMENTACIÓN NO ESTÉ DAÑADO Y QUE NO PASE POR DEBAJO DEL HORNO O SOBRE SUPERFICIES CALIENTES O AFILADAS.

8. LA TOMA ELÉCTRICA DEBE SER INSTALADA EN UN ÁREA DE FÁCIL ACCESO PARA QUE EL ENCHUFE PUEDA SER QUITADO FÁCILMENTE EN CASO DE EMERGENCIA.
9. NO UTILICE EL HORNO MICROONDAS EN EXTERIORES.

INSTRUCCIONES PARA LA TOMA A TIERRA

LA UNIDAD DEBE ESTAR CONECTADA A UNA TOMA A TIERRA. ESTE HORNO MICROONDAS ESTÁ EQUIPADO CON UN CABLE DE TIERRA CONECTADO A UN ELECTRODO DE TIERRA. ESTE ENCHUFE DEBE ESTAR DEBIDAMENTE CONECTADO A UNA TOMA A TIERRA. EN CASO DE CORTO CIRCUITO, LA TOMA A TIERRA REDUCE EL RIESGO DE EXPOSICIÓN A LA ELECTRICIDAD, YA QUE PROPORCIONA UN CABLE DE SALIDA PARA LA CORRIENTE ELÉCTRICA. SE RECOMIENDA QUE LA TOMA ELÉCTRICA SEA UTILIZADA SOLAMENTE POR ESTE DISPOSITIVO. EL USO DE TENSION ALTA ES PELIGROSO Y PUEDE PROVOCAR UN INCENDIO Y OTROS ACCIDENTES QUE PUEDEN CAUSAR EL DETERIORO DEL HORNO MICROONDAS.

ADVERTENCIA: EL USO INCORRECTO DEL ELECTRODO DE TIERRA PUEDE PROVOCAR DESCARGAS ELÉCTRICAS.

NOTA

1. SI TIENE ALGUNA DUDA ACERCA DE LA TOMA A TIERRA O SOBRE LAS INSTRUCCIONES SOBRE LA ELECTRICIDAD, CONSULTE A UN ELECTRICISTA O SERVICIO AUTORIZADO.
2. EL FABRICANTE Y EL DISTRIBUIDOR NO SE RESPONSABILIZAN POR DAÑOS CAUSADOS A PERSONAS O AL MICROONDAS POR NO SEGUIR LAS INSTRUCCIONES DE CONEXIÓN ELÉCTRICA.

LOS CABLES DENTRO DEL CABLE PRINCIPAL ESTÁN COLOREADOS DE ACUERDO A LOS SIGUIENTES CÓDIGOS:

VERDE Y AMARILLO = TIERRA

AZUL = CONDUCTOR NEUTRO

MARRÓN = CONECTOR DE FASE

INTERFERENCIA DE RADIO FRECUENCIA

EL FUNCIONAMIENTO DEL MICROONDAS PUEDE INTERFERIR CON LA RECEPCIÓN DE RADIO, TELEVISIÓN O SIMILARES. ESTA INTERFERENCIA SE PUEDE REDUCIR O ELIMINAR TOMANDO LAS SIGUIENTES MEDIDAS:

1. LIMPIE LA PUERTA DEL HORNO Y LA SUPERFICIE DE LA JUNTA.
2. ORIENTE LA ANTENA DE LA RADIO O TELEVISIÓN EN OTRA DIRECCIÓN.
3. REUBIQUE EL MICROONDAS CON RESPECTO AL RECEPTOR.
4. ALEJE EL MICROONDAS DEL RECEPTOR.
5. CONECTE EL MICROONDAS EN UN LUGAR DIFERENTE PARA QUE Y EL RECEPTOR Y ESTE ESTÉN CONECTADOS EN LUGARES DIFERENTES.

INSTRUCCIONES DE SEGURIDAD IMPORTANTES

CUANDO USE APARATOS ELÉCTRICOS, ES NECESARIO TOMAR PRECAUCIONES BÁSICAS DE SEGURIDAD.

PRECAUCIÓN: PARA REDUCIR EL RIESGO DE QUEMADURAS, DESCARGAS ELÉCTRICAS, INCENDIOS Y LESIONES A PERSONAS O EXPOSICIÓN PROLONGADA A LAS MICROONDAS:

- 1 . Si el cable de alimentación está dañado, debe ser reemplazado por el fabricante o su agente de servicio o una persona igualmente calificada para evitar un peligro.
- 2 . ADVERTENCIA : Sólo permita que los niños utilicen el horno sin supervisión cuando las instrucciones adecuadas se les ha dado para que el niño es capaz de utilizar el horno de una manera segura y comprendan los peligros de un uso incorrecto.
- 3 . Advertencia: Si el aparato se utiliza en el modo de combinación , los niños sólo deben utilizar el horno bajo supervisión de un adulto debido a las temperaturas que se generan .
- 4 . Cuando caliente alimentos en contenedores de plástico o de papel , vigile el horno debido a la posibilidad de ignición .
- 5 . Si se observa humo , apague o desenchufe el aparato y mantenga la puerta cerrada para sofocar las llamas.
- 6 . Advertencia : El líquido u otros alimentos no deben calentarse en recipientes cerrados ya que podrían explotar.
- 7 . El calentamiento por microondas de bebida puede provocar ebullición eruptiva retardada, por lo tanto, el cuidado debe ser tomado al manejar el recipiente.

- 8 . Advertencia: Los huevos en su cáscara y huevos duros enteros no debe calentarse en hornos microondas ya que podrían explotar , incluso después de que el calentamiento por microondas ha terminado.
- 9 . Advertencia: El contenido de biberones y tarros para bebés deben revolverse o agitarse y la temperatura se debe comprobar antes de servir , para evitar quemaduras.
- 10 . Utensilios deben ser evaluados para verificar que son adecuados para el uso en horno de microondas.
- 11 . ADVERTENCIA: Es peligroso para cualquier persona que no sea una persona capacitada para llevar a cabo cualquier servicio o reparación , lo que implica la eliminación de toda la cubierta , que ofrece protección contra la exposición a la energía de microondas .
- 12 . El horno debe ser limpiado regularmente y cualquier resto de comida .
- 13 . No mantener el horno en condiciones de limpieza podría dar lugar a un deterioro de la superficie que podría afectar negativamente a la vida del aparato y provocar una situación peligrosa ,
- 14 . Advertencia - Si la puerta o juntas de la puerta están dañados, el horno no debe utilizarse hasta que haya sido reparado por una persona entrenada .
- 15 . " Este producto es un Grupo 2 Equipo de Clase B ISM . La definición del Grupo 2 que contiene todos los equipos ISM (Industrial , Scientific and Medical) en la que la energía de radio - frecuencia se genera intencionadamente y / o utilizarse en la forma de radiación electromagnética para el tratamiento de material , y la chispa de equipos erosión . Para el equipo de Clase B es el equipo adecuado para su uso en establecimientos domésticos y en los establecimientos conectados directamente a una red de alimentación de baja tensión que alimenta a edificios empleados con fines domésticos " .
- 16 . Por favor, no tire el aparato a la basura doméstica , debe eliminarse el centro de eliminación especial proporcionada por los municipios.
- 17 . El horno de microondas sólo se utiliza en autoportante .
- 18 . ADVERTENCIA : No instale el horno sobre una parrilla rango u otro aparato que produzca calor . si intalled podría dañarse y el wareanty se vold .
- 19 . La superficie accesible puede estar caliente durante la operación.
- 20 . El horno de microondas no puede ser colocado en un gabinete .
- 21 . La puerta o la superficie exterior puede calentarse cuando el aparato está en funcionamiento.
- 22 . La temperatura de las superficies accesibles puede ser alta cuando el aparato está en funcionamiento.
- 23 . Este aparato no está diseñado para ser utilizado por personas (incluidos niños) con reducidas capacidades sensoriales o mentales, físicas , o la falta de experiencia y conocimiento, a menos que sean supervisados o instruidos acerca del uso del aparato por una persona responsable de su seguridad .
- 24 . Los niños deben ser supervisados para asegurar que no jueguen con el aparato.
- 25 . El aparato debe colocarse contra una pared.
- 26 . El aparato no debe ser utilizado por niños o personas con capacidades físicas , sensoriales o mentales , o con falta de experiencia y conocimiento , a menos que hayan recibido supervisión o instrucción
- 27 . Los niños están supervisados no jugar con aparato

- 28 . Aparatos no destinados a ser operado por medio de un temporizador externo o un sistema de control remoto
- 29 . ADVERTENCIA : Si la puerta o juntas de la puerta están dañados, el horno no debe utilizarse hasta que haya sido reparado por una persona competente
- 30 . El horno debe ser limpiado regularmente y cualquier resto de comida
- 31 . No mantener el horno en condiciones de limpieza podría dar lugar a un deterioro de la superficie que podría afectar negativamente a la vida del aparato y provocar una situación peligrosa
- 32 . Aparatos no están destinados a ser operado por medio de un temporizador externo o un sistema de control remoto separado .
- 33 . El horno de microondas es para uso doméstico y no para uso comercial.
- 34 . Nunca quite el soporte a distancia en la parte trasera o en los laterales, ya que garantiza una distancia mínima de la pared para la circulación del aire .
- 35 . Por favor asegure la tabla de la vuelta antes de mover el aparato para evitar daños.
- 36 . Precaución: Es peligroso para reparar o mantener el aparato por nada menos que un especialista ya que bajo estas circunstancias, la tapa tiene que ser eliminado , que asegura la protección contra la radiación de microondas. Esto se aplica a cambiar el cable de alimentación o la iluminación también. Enviar el aparato en estos casos a nuestro centro de servicios.
- 37 . El horno de microondas es para descongelar, cocinar y cocer al vapor los alimentos solamente.
- 38 . Use guantes si se quita cualquier alimento caliente.
- 39 . ¡Atención! Vapor se escape , al abrir las tapas o papel de envolver .
- 40 . Este aparato puede ser utilizado por niños de 8 años o más y las personas con una incapacidad o falta de experiencia y conocimientos que hayan recibido supervisión o instrucciones relativas al uso del aparato de una manera segura físicas, sensoriales o mentales y comprender los riesgos involucrados. Los niños no deben jugar con el aparato . Limpieza y mantenimiento de usuarios no se harán por los niños , a menos que se envejecen a partir de 8 años en adelante y supervisados.
- 41 . Si se emite humo , apague o desenchufe el aparato y mantenga la puerta cerrada para sofocar

CÓMO COCINAR EN EL MICROONDAS

1. COLOQUE LOS ALIMENTOS. PONGA LAS PARTES MÁS GRUESAS HACIA LOS BORDES DEL RECIPIENTE.
2. OBSERVE EL TIEMPO DE COCCIÓN. COCINE DURANTE EL TIEMPO DE COCCIÓN MÍNIMO INDICADO Y AUMÉNTELO SI ES NECESARIO. LOS ALIMENTOS COCIDOS INTENSAMENTE PUEDEN QUEMARSE O PRENDERSE EN FUEGO.
3. CUBRA LOS ALIMENTOS DURANTE LA COCCIÓN. LAS TAPAS EVITAN LAS SALPICADURAS Y PERMITEN QUE EL ALIMENTO SE CUEZA UNIFORMEMENTE.
4. PARA ACELERAR LA COCCIÓN, DELE LA VUELTA A LOS ALIMENTOS VOLUMINOSOS COMO EL POLLO O LAS HAMBURGUESAS POR LO MENOS UNA VEZ.

5. COLOQUE NUEVAMENTE EN COCCIÓN INTERMEDIA LOS ALIMENTOS COMO LAS ALBÓNDIGAS DE LA PARTE SUPERIOR HACIA LA INFERIOR Y DEL CENTRO HACIA LOS LADOS DEL RECIPIENTE.

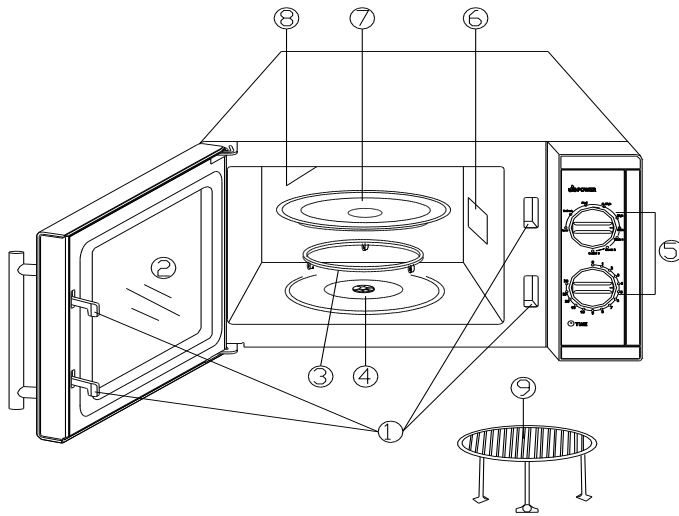
GUÍA DE UTENSILIOS

1. EL MATERIAL IDEAL PARA UTENSILIOS DE MICROONDAS DEBE SER TRANSPARENTE PARA DEJAR PASAR LA ENERGÍA A TRAVÉS DEL RECIPIENTE Y CALENTAR LA COMIDA.
2. LA ENERGÍA DEL MICROONDAS NO PUEDE PENETRAR EL METAL. NO USE UTENSILIOS Y CONTENEDORES DE METAL O CON BORDE DE METAL.
3. NO UTILIZAR PRODUCTOS DE PAPEL RECICLADO EN MICROONDAS, YA QUE PUEDEN CONTENER PEQUEÑOS PEDAZOS DE METAL Y PUEDEN OCASIONAR CHISPAS Y / O LLAMAS.
4. RECOMENDAMOS EL USO DE CONTENEDORES OVALES O CIRCULARES Y NO CUADRADOS O ESQUINADOS YA QUE LOS ALIMENTOS TIENEN TENDENCIA A COCINARSE MÁS EN LAS ESQUINAS.
5. LAS TIRAS ANGOSTAS DE PAPEL ALUMINIO SE PUEDEN UTILIZAR CONTRA LA COCCIÓN EXCESIVA EN LAS ZONAS EXPUESTAS. TENGA CUIDADO Y NO UTILICE DEMASIADO PAPEL ALUMINIO Y MANTENGA UNA DISTANCIA DE 2,54 CM ENTRE EL PAPEL ALUMINIO Y LA CAVIDAD.

LA SIGUIENTE LISTA ES UNA GUÍA GENERAL PARA SELECCIONAR LOS UTENSILIOS ADECUADOS.

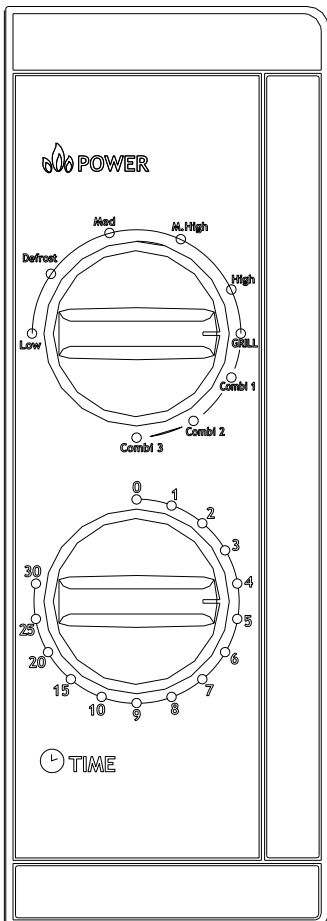
UTENSILIOS	MICROONDAS	GRILL	COMBINADO
VIDRIO RESISTENTE AL CALOR	SÍ	SÍ	SÍ
VIDRIO NO RESISTENTE AL CALOR	NO	NO	NO
CERÁMICA RESISTENTE AL CALOR	SÍ	SÍ	SÍ
PLATO DE PLÁSTICO APTO PARA MICROONDAS	SÍ	NO	NO
PAPEL DE HORNEAR	SÍ	NO	NO
BANDEJA METÁLICA	NO	SÍ	NO
PLATAFORMA DE METAL	NO	SÍ	NO
PAPEL ALUMINIO	NO	SÍ	NO

NOMBRE DE LAS PIEZAS



1. SISTEMA DE SEGURIDAD
2. VENTANA
3. PLACA DE SOPORTE
4. EJE
5. PANEL DE CONTROL
6. VENTILACIÓN
7. PLATO DE CRISTAL
8. CALIENTA PARRILLA
9. SOPORTE DE METAL

PANEL DE CONTROL



EL PANEL DE CONTROL CONSTA DE DOS FUNCIONES. LA PRIMERA: POWER, QUE REPRESENTA EL PODER DE COCCIÓN Y LA SEGUNDA: TIME, QUE REPRESENTA EL TEMPORIZADOR.

TEMPORIZADOR

EL TEMPORIZADOR PERMITE ELEGIR EL TIEMPO DE COCCIÓN Y ENCENDER EL MICROONDAS. PARA SELECCIONAR EL TIEMPO DE COCCIÓN, GÍRELO A LA DERECHA. EL TIEMPO LÍMITE DE COCCIÓN ES DE 30 MINUTOS.

COCCIÓN

HAY CINCO NIVELES DE POTENCIA PARA COCINAR. ES IMPORTANTE ELEGIR LA POTENCIA DE COCCIÓN DEPENDIENDO DEL PLATO A COCINAR. PARA AUMENTAR LA POTENCIA GIRE EL BOTÓN A LA DERECHA.

LOS NIVELES DE POTENCIA SE PUEDEN CLASIFICAR SEGÚN LA SIGUIENTE TABLA:

	POTENCIA	DESCRIPCIÓN
1	18% OF TOTAL	LOW
2	36	DEFROST
3	58	MEDIUM
4	81	M. HIGH
5	100	HIGH

"COMBI 1, 2 COMBI COMBI 3" APTO PARA MICROONDAS COMBINADO DEL PAN HORNO Y LA PARRILLA. LA OPERACIÓN SE CLASIFICA EN TRES NIVELES CON DIFERENTE DEL PODER POR LA COMBINACIÓN DE LA MESA SIGUIENTE SE MUESTRAN LAS 3 CONFIGURACIONES DIFERENTES:

PROGRAMA	MICROONDAS	PARRILLA	ESTÁ DE ACUERDO CON LOS ALIMENTOS SIGUIENTE (EJEMPLO)
COMBI.1	30%	70%	PESCADO
COMBI.2	49%	51%	OMELETES
COMBI.3	67%	33%	AVES DE CORRAL

GRILL

PARA CAMBIAR AL MODO GRILL SE DEBE ELEGIR EL NIVEL DE LA POTENCIA MÁS ALTO. LA FUNCIÓN GRILL ES IDEAL PARA COCINAR REBANADAS DELGADAS DE CARNE, SALCHICHAS, TROZOS DE POLLO, PINCHOS O FILETES. TAMBIÉN PUEDE USAR EL GRILL PARA LOS BOCADILLOS O GRATINADOS.

NOTA: UNA VEZ QUE HAYA ESTABLECIDO EL TIEMPO DE COCCIÓN EL HORNO COMENZARÁ A COCINAR. CUANDO EL TIEMPO SELECCIONADO ES MENOS DE 2 MINUTOS, AJUSTE EL TEMPORIZADOR A MÁS DE 2 MINUTOS PARA AJUSTAR LA HORA CORRECTA DE NUEVO.

ADVERTENCIA: SIEMPRE COLOQUE EL TEMPORIZADOR A CERO CUANDO SE QUITA LA COMIDA ANTES DE LA HORA PROGRAMADA O CUANDO NO SE USE EL HORNO.

LIMPIEZA Y MANTENIMIENTO

PARA DETENER EL HORNO MICROONDAS MIENTRAS COCINA, ABRA LA PUERTA.

1. Antes de la limpieza, apague el microondas y desenchúfelo de la toma.
2. Mantenga el horno limpio. Cuando los alimentos o salpicaduras de líquidos se adhieren a las paredes del horno, límpielo con un paño húmedo. Puede utilizar un detergente suave si el horno se ensucia mucho. Evite el uso de spray y otros productos agresivos, ya que pueden manchar la superficie de la puerta.
3. Las superficies exteriores deben limpiarse con un paño húmedo. Para evitar daños en las partes internas de funcionamiento, el agua no debe cruzar la red interna.
4. Pase regularmente un paño húmedo en ambos lados de la puerta y ventana, sellos de las puertas y otras partes contiguas para quitar las salpicaduras.
5. No deje que el panel de control se moje y deje la puerta del horno abierta para evitar la puesta en marcha accidental.
6. Si se acumula vapor dentro o alrededor del horno, límpielo con un paño suave. Esto puede ocurrir cuando el horno está funcionando bajo condiciones de alta humedad. Esto es normal.
7. A veces es necesario quitar el plato de vidrio para limpiarlo. Lave el plato con agua y jabón o en el lavavajillas.

8. El anillo de rotación y la base del horno se deben limpiar con regularidad para evitar un ruido excesivo. Sólo tiene que usar un paño con un detergente suave. El anillo se puede limpiar con agua y jabón o en el lavavajillas. Cuando saque el anillo para limpiar la base, póngalo de nuevo en su posición correcta.
9. Para eliminar olores en el microondas, ponga agua con un poco de limón en un recipiente apto para microondas y encienda el horno durante 5 minutos. Limpie a fondo el microondas y séquelo con un paño suave.
10. Cuando sea necesario cambiar la luz del horno, póngase en contacto con su distribuidor para cambiarla.

ADVERTENCIA:

NO SE DESHAGA DE ESTE PRODUCTO COMO LO HACE CON OTROS PRODUCTOS DEL HOGAR. EXISTE UN SISTEMA SELECTIVO DE COLECTA DE ESTE PRODUCTO PUESTO EN MARCHA POR LAS COMUNIDADES, DEBE DE INFORMARSE EN SU AYUNTAMIENTO ACERCA DE LOS LUGARES EN LOS QUE PUEDE DEPOSITAR ESTE PRODUCTO. DE HECHO, LOS PRODUCTOS ELÉCTRICOS Y ELECTRÓNICOS PUEDEN CONTENER SUBSTANCIAS PELIGROSAS QUE TIENEN EFECTOS NEFASTOS PARA EL MEDIO AMBIENTE O PARA LA SALUD HUMANA Y DEBEN SER RECICLADOS. EL SÍMBOLO AQUÍ PRESENTE INDICA QUE LOS EQUIPOS ELÉCTRICOS O ELECTRÓNICOS DEBEN DE SER CUIDADOSAMENTE SELECCIONADOS, REPRESENTA UN RECIPIENTE DE BASURA CON RUEDAS MARCADO CON UNA X.

FABRICADO PARA E IMPORTADO POR: ADEVA SAS 8 RUE MARC SEGUIN 77290 MITRY-MORY FRANCIA

WWW.HKOENIG.COM - CONTACT@HKOENIG.COM - TEL. 01 64 67 00 01

ITALIANO

PRECAUZIONI PER EVITARE UN'EVENTUALE ESPOSIZIONE ALL'ENERGIA DELLE MICROONDE

SI PREGA DI LEGGERE QUESTE ISTRUZIONI PRIMA DI INSTALLARE E ACCENDERE IL FORNO.
NOTARE IL NUMERO DI SERIE RIPORTATO SOTTO, SULLA PLACCA DEL FORNO E CONSERVARE QUESTE
INFORMAZIONI PER OGNI RIFERIMENTO FUTURO.

1. Non provare ad accendere il forno con lo sportello aperto, poiché è possibile subire danni a causa dell'esposizione alle microonde. È molto importante non manipolare o alterare i sistemi di sicurezza della chiusura.
2. Non disporre oggetti davanti allo sportello del forno. Non permettere che la polvere, i detriti o i prodotti di pulizia si accumulino sulla superficie della zona di chiusura.
3. Non utilizzare mai il forno se è danneggiato. È molto importante che lo sportello del forno sia chiuso correttamente e che i seguenti elementi non siano difettosi o danneggiati:
 - G.** Sportello (deformato)
 - H.** Cerniere e fermi (rotti o allentati)
 - I.** Guarnizione dello sportello e superficie della guarnizione
4. MAI REGOLARE E/O CERCARE DI RIPARARE IL FORNO PERSONALMENTE.
RIVOLGERSI SEMPRE E SOLO AL SERVIZIO ASSISTENZA O A UN TECNICO QUALIFICATO.

SPECIFICHE TECNICHE

Consumo energetico:	230-240V~50Hz, 1400W(microonde) 1000w(grill)
Potenza di uscita del microonde	900W
Frequenza	2450MHz
Misure esterne	281mm(H) x483mm(W)x398mm(D)
Misure interne del forno a microonde	220mm(H) x340mm(W)x320mm(D)
Capacità del forno a microonde	23 Litri
Uniformità della cottura	Sistema di piatto girevole {φ270mm}
Peso netto:	circa14.1 kg

PRIMA DI CHIAMARE IL SERVIZIO TECNICO

Se il forno a microonde non funziona:

Assicurarsi che il forno sia collegato correttamente. Se non lo è, togliere la spina dalla presa elettrica, attendere per 10 secondi e ricollegare.

1. Controllare che il salvavita (o il fusibile del salvavita) non sia scattato. Se il problema non è questo, verificare se la presa elettrica che si utilizza non sia difettosa. Per testare la presa collegare un altro dispositivo.
2. Accertarsi che il pannello di controllo sia stato programmato in modo corretto e che il timer sia stato attivato.
3. Accertarsi che lo sportello sia stato correttamente chiuso con il meccanismo di chiusura di sicurezza. In caso contrario, l'energia delle microonde non scorrerà nel forno.

Se nessuna di queste indicazioni ha risolto il problema, contattare un tecnico specializzato. Non cercare di riparare l'apparecchio personalmente.

INSTALLAZIONE

1. ASSICURARSI DI AVER RIMOSSO TUTTO IL MATERIALE DI IMBALLAGGIO ALL'INTERNO.
2. ATTENZIONE: VERIFICARE EVENTUALI DIFETTI DEL FORNO, AD ESEMPIO SE LO SPORTELLLO È ALLENTATO O SVITATO, SE LE GUARNIZIONI SONO ROTTE O DANNEGGIATE, SE LA SERRATURA E LE CERNIERE SONO ALLENTATE O ROTTE O SE SONO PRESENTI DEFORMAZIONI NELLA CAVITÀ DEL FORNO O SULLO SPORTELLLO. SE L'APPARECCHIO È DANNEGGIATO NON ACCENDERLO E CONTATTARE DIRETTAMENTE IL SERVIZIO TECNICO.
3. QUESTO FORNO A MICROONDE DEVE ESSERE COLLOCATO SU UNA SUPERFICIE PIANA, LA QUALE GARANTISCA AI PIEDI DEL FORNO DI SOSTENERE IL PESO DELL'APPARECCHIO E IL PESO MASSIMALE DEL CIBO CHE SI ANDRÀ A CUCINARE.
4. NON POSIZIONARE IL FORNO IN PROSSIMITÀ DI FONTI DI CALORE E DI MATERIALI INFIAMMABILI O IN ZONE CON ALTA O BASSA PRESENZA DI UMIDITÀ.

5. PER UN CORRETTO UTILIZZO, IL FORNO DEVE AVERE UN SUFFICIENTE FLUSSO D'ARIA INTORNO A SÉ. LASCIARE UNO SPAZIO DI 20 CM SOPRA IL FORNO, 10 CM DIETRO E 5 CM AI DUE LATI. NON OSTRUIRE O BLOCCARE LE PRESE D'ARIA DELL'APPARECCHIO. MAI SMONTARE I PIEDI DEL FORNO.
6. NON ACCENDERE MAI IL FORNO SE IL PIATTO DI VETRO, IL CUSCINETTO DI SUPPORTO E L'ALBERO NON SONO CORRETTAMENTE POSIZIONATI AL SUO INTERNO.
7. ASSICURARSI CHE IL CAVO DI ALIMENTAZIONE NON SIA DANNEGGIATO E CHE NON VADA SOTTO AL FORNO O SU SUPERFICI CALDE O TAGLIENTI.
8. LA SPINA ELETTRICA DEVE ESSERE INSERITA IN UNA PRESA DI FACILE ACCESSO, IN MODO CHE POSSA ESSERE RIMOSSA FACILMENTE IN CASO DI EMERGENZA.
9. NON UTILIZZARE IL FORNO IN AMBIENTI ESTERNI.

ISTRUZIONI PER LA MESSA A TERRA

QUESTO DISPOSITIVO DEVE ESSERE COLLEGATO A UNA PRESA CON MESSA A TERRA. QUESTO FORNO È DOTATO DI UN CAVO PER LA MESSA A TERRA COLLEGATO A UN ELETTRODO DI MASSA. LA SPINA DEVE ESSERE CORRETTAMENTE COLLEGATA A UNA PRESA CON MESSA A TERRA. IN CASO DI CORTO CIRCUITO, LA MESSA A TERRA RIDUCE IL RISCHIO DI SCOSSE ELETTRICHE GRAZIE A UN CAVO DI USCITA PER LA CORRENTE ELETTRICA. SI RACCOMANDA CHE LA PRESA ELETTRICA ALLA QUALE È COLLEGATO IL FORNO, SIA UTILIZZATA UNICAMENTE PER QUESTO APPARECCHIO. L'IMPIEGO DI UN ALTO VOLTAGGIO È PERICOLOSO E PUÒ CAUSARE INCENDI OPPURE ALTRI INCIDENTI POSSONO CAUSARE DANNI AL FORNO.

Attenzione: l'uso improprio dell'elettrodo di massa può causare scosse elettriche.

Nota

1. PER QUALSIASI DUBBIO LEGATO ALLE INDICAZIONI SULLA MESSA A TERRA O SU ALTRE QUESTIONI ELETTRICHE, CONSULTARE UN ELETTRICISTA O IL SERVIZIO DI ASSISTENZA.
2. NÉ IL PRODUTTORE NÉ IL RIVENDITORE SONO RESPONSABILI PER DANNI CAUSATI A PERSONE O COSE (O AL FORNO STESSO) SCATURITI DALL'ERRATO COLLEGAMENTO ELETTRICO E DALLA MANCATA OSSERVAZIONE DELLE ISTRUZIONI RIPORTATE.

I fili nel cavo principale sono colorati secondo i seguenti codici:

Verde e giallo= messa a terra

Blu= neutro

Marrone= fase

INTERFERENZA RADIO-ELETTRICA

IL FUNZIONAMENTO DEL FORNO PUÒ INTERFERIRE CON LA RICEZIONE DI RADIO, TV O SIMILI. QUESTA INTERFERENZA PUÒ ESSERE RIDOTTA O ELIMINATA PRENDENDO LE SEGUENTI MISURE:

1. PULIRE LO SPORTELLO DEL FORNO E LE GUARNIZIONI.
2. RIORIENTARE L'ANTENNA DELLA RADIO O DELLA TELEVISIONE.

3. SOSTITUIRE IL MICROONDE DALL'APPARECCHIO RICEVITORE.
4. SPOSTARE IL MICROONDE LONTANO DALL'APPARECCHIO RICEVITORE.
5. COLLEGARE IL FORNO A MICROONDE IN UN LUOGO DIVERSO DA QUELLO DELL'APPARECCHIO RICEVITORE.

ISTRUZIONI IMPORTANTI SULLA SICUREZZA

Quando si utilizzano apparecchi elettrici, è necessario prendere precauzioni di sicurezza di base.

Attenzione! Per ridurre il rischio di ustioni, scosse elettriche, incendi e danni alle persone o una prolungata esposizione all'energia delle microonde:

- 1 . Se il cavo di alimentazione è danneggiato, esso deve essere sostituito dal costruttore o dal suo servizio di assistenza o da personale qualificato al fine di evitare un pericolo .
- 2 . **ATTENZIONE** : Consentire ai bambini di utilizzare il forno senza la supervisione quando adeguate istruzioni sono state date in modo che il bambino è in grado di utilizzare il forno in modo sicuro e capisce i rischi di un uso improprio .
- 3 . **Attenzione** : Quando l' apparecchio funziona in modalità di combinazione, i bambini dovrebbero usare solo il forno sotto supervisione di un adulto a causa delle alte temperature generate .
- 4 . Quando il riscaldamento degli alimenti in plastica o carta contenitore , tenere d'occhio il forno a causa della possibilità di accensione.
- 5 . Se si nota del fumo , spegnere o scollegare l'apparecchio e tenere chiusa la porta per soffocare eventuali fiamme.
- 6 . **Attenzione** : Liquidi o altri cibi non devono essere riscaldati in contenitori sigillati che potrebbero esplodere .
- 7 . Riscaldamento a microonde di bevande può causare bollitura ritardata , quindi la cura deve essere presa quando maneggiare il contenitore .
- 8 . **Attenzione**: uova con il guscio e uova sode non deve essere riscaldato nel forno a microonde in quanto potrebbero esplodere , anche a cottura terminata .
- 9 . **Attenzione** : Il contenuto di biberon e vasetti bambino dovrebbe essere mescolato o agitato e la temperatura deve essere controllata prima di servire , per evitare scottature .
- 10 . Utensili dovrebbe essere controllata per assicurarsi che siano adatte per l'utilizzo in forno a microonde .
- 11 . **ATTENZIONE** : È pericoloso per chiunque non sia una persona preparata a svolgere qualsiasi servizio o operazione di riparazione, che comporta la rimozione di qualsiasi copertura , che conferisce protezione contro l'esposizione alle microonde .
- 12 . Il forno deve essere pulito regolarmente e gli eventuali depositi di cibo rimosso.
- 13 . Incapacità di mantenere il forno in condizioni pulite potrebbe portare a un deterioramento della superficie che possono influire negativamente sulla durata dell'apparecchio e causare situazioni di pericolo ,
- 14 . **Attenzione** - Se la porta o le guarnizioni sono danneggiate , il forno non deve essere utilizzato fino a quando non è stato riparato da una persona esperta .
- 15 . " Questo prodotto è un Gruppo 2 Classe apparecchiature ISM B . La definizione del gruppo 2 che contiene tutto ISM (Industrial , Scientific and Medical) apparecchiature in cui l'energia a radiofrequenza viene intenzionalmente generata e / o utilizzato in forma di radiazione elettromagnetica per il trattamento di materiale , e scintilla attrezzature erosione. Per le apparecchiature di classe B sono attrezzature idonee per l'utilizzo in ambienti domestici e in stabilimenti direttamente collegati a una rete di alimentazione a bassa tensione che alimenta edifici utilizzati per uso domestico " .
- 16 . Si prega di non smaltire questo apparecchio nella spazzatura domestica , ma deve essere smaltito al

particolare centro di smaltimento fornito dai comuni .

17 . Il forno a microonde viene utilizzato solo in freestanding .

18 . ATTENZIONE : non installare più di un piano di cottura a microonde gamma o altre apparecchiature che producono calore . se intalled potrebbe essere danneggiato e la wareanty sarebbe void.

19 . La superficie disponibile potrebbe essere caldo durante il funzionamento .

20 . Il forno a microonde non deve essere collocato in un armadio .

21 . La porta o la superficie esterna possono diventare molto calde quando l'apparecchio è in funzione .

22 . La temperatura delle superfici accessibili può essere elevata quando l' apparecchio è in funzione .

23 . Questo apparecchio non è destinato all'uso da parte di persone (inclusi i bambini) con ridotte capacità fisiche sensoriali o mentali , o mancanza di esperienza e conoscenza, a meno che non siano controllati o istruiti all'uso dell'apparecchio da una persona responsabile della loro sicurezza .

24 . Sorvegliare i bambini per assicurarsi che non giochino con l'apparecchio.

25 . L' apparecchio deve essere posizionato contro una parete .

26 . L'apparecchio non deve essere utilizzato da bambini o persone con capacità fisiche, sensoriali o mentali ridotte, o con mancanza di esperienza e conoscenza , a meno che non siano attentamente sorvegliate e istruite

27 . I bambini di essere sorvegliati non giocare con apparecchio

28 . Apparecchi non destinati ad essere utilizzati per mezzo di un timer esterno o un sistema di telecomando separato

29 . ATTENZIONE : Se la porta o le guarnizioni sono danneggiate , il forno non deve essere utilizzato fino a quando non è stato riparato da una persona competente

30 . Il forno deve essere pulito regolarmente e gli eventuali depositi alimentari rimosso

31 . Incapacità di mantenere il forno in condizioni pulite potrebbe portare a un deterioramento della superficie che possono influire negativamente sulla durata dell'apparecchio e causare situazioni di pericolo

32 . Apparecchi non sono destinati ad essere azionato mediante un timer esterno o un sistema di comando a distanza separato .

33 . Il forno a microonde è solo per uso domestico e non per uso commerciale.

34 . Non rimuovere il supporto distanza nella parte posteriore o sui lati , in quanto garantisce una distanza minima dalla parete per la circolazione dell'aria .

35 . Si prega di fissare il tavolo turno prima di spostare la macchina per evitare danni .

36 . Attenzione : E 'pericoloso per riparare o mantenere l'apparecchio non è altro che uno specialista , perché in queste circostanze, il coperchio deve essere rimosso , che assicura la protezione contro le radiazioni a microonde . Questo vale per cambiare il cavo di alimentazione o l'illuminazione pure. Invia l'apparecchio in questi casi, per il nostro centro di assistenza .

37 . Il forno a microonde è destinato per lo scongelamento , la cottura e la cottura a vapore del cibo solo .

38 . Usare guanti se si rimuove qualsiasi cibo riscaldato .

39 . Attenzione ! Il vapore fuoriesce , quando si aprono i coperchi o involucro di alluminio.

40 . Questo apparecchio può essere utilizzato da bambini di età compresa dagli 8 anni e sopra e persone con ridotte capacità o mancanza di esperienza e conoscenza , se non siano controllati o istruiti all'uso dell'apparecchio in modo sicuro fisiche, sensoriali o mentali e di comprendere i rischi coinvolti. I bambini non devono giocare con l'apparecchio. Pulizia e manutenzione utente non devono essere eseguite dai bambini a meno che non sono di età compresa dagli 8 anni in su e controllato .

41 . Se il fumo viene emesso , spegnere o scollegare l'apparecchio e tenere la porta chiusa per soffocare

COME CUCINARE CON IL FORNO A MICROONDE

1. DISPORRE CON ATTENZIONE IL CIBO. METTERE LA PARTE PIÙ SPESSA VERSO I BORDI DEL CONTENITORE.
2. OSSERVARE IL TEMPO DI COTTURA. CUOCERE PER IL TEMPO DI COTTURA MINIMO INDICATO E AUMENTARE, SE NECESSARIO. I CIBI TROPPO COTTI POSSONO BRUCIARE E PRENDERE FUOCO.
3. COPRIRE IL CIBO DURANTE LA COTTURA PER EVITARE GLI SCHIZZI E PER FAVORIRE UNA COTTURA PIÙ UNIFORME DEL CIBO.
4. PER LA VELOCIZZARE LA COTTURA, GIRARE IL CIBO DI GRANDI DIMENSIONI (COME POLLO O MANZO TRITATO) ALMENO UNA VOLTA.
5. A METÀ COTTURA, RIORGANIZZARE LA POSIZIONE DEGLI ALIMENTI COME LE POLPETTE,

GUIDA AGLI UTENSILI

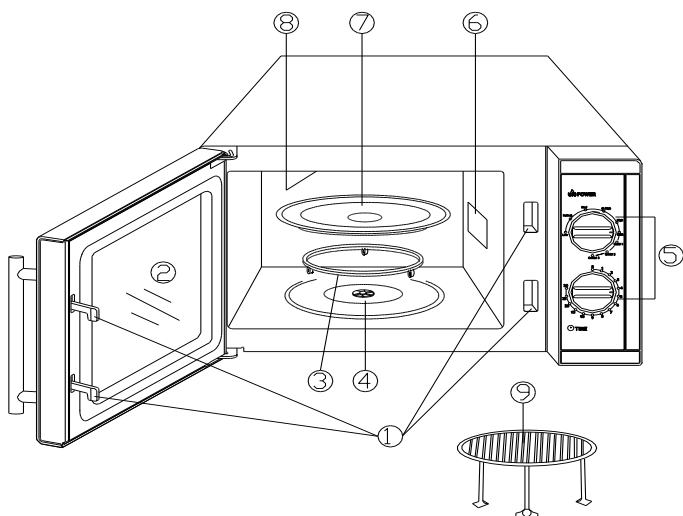
SPOSTANDOLE DA CIMA A FONDO, DAL CENTRO AI BORDI DEL CONTENITORE.

1. L'IDEALE PER LA COTTURA A MICROONDE È SICURAMENTE UN CONTENITORE TRASPARENTE PER CONSENTIRE IL ALL'ENERGIA DI ATTRAVERSARE LE SUPERFICI, RISCALDANDO PIÙ EFFICACEMENTE IL CIBO.
2. L'ENERGIA DELLE MICROONDE NON PUÒ PENETRARE IL METALLO, QUINDI NON BISOGNA UTILIZZARE UTENSILI E RECIPIENTI DI METALLO O CON BORDI O PARTI DI METALLO.
3. NON UTILIZZARE CARTA RICICLATA NEL FORNO A MICROONDE, PIN QUANTO PUÒ CONTENERE PICCOLI FRAMMENTI METALLICI CHE POSSONO CAUSARE SCINTILLE E /O FIAMME.
4. SI CONSIGLIA DI UTILIZZARE CONTENITORI OVALI O ROTONDI, PIUTTOSTO CHE LUNGI E STRETTI O QUADRATI, PERCHÉ IL CIBO TENDE A CUOCERSI MAGGIORMENTE IN CURVA.
5. I FOGLI DI ALLUMINIO POSSONO ESSERE USATI COME RIMEDIO CONTRO UNA COTTURA ECCESSIVA DELLE AREE ESPOSTE. FARE ATTENZIONE A NON ABUSARNE E MANTENERE SEMPRE UNA DISTANZA DI 2,54 CM TRA LA PELLICOLA E LE PARETI DEL FORNO.

L'ELENCO CHE SEGUE È UNA GUIDA GENERALE PER SELEZIONARE GLI UTENSILI ADATTI:

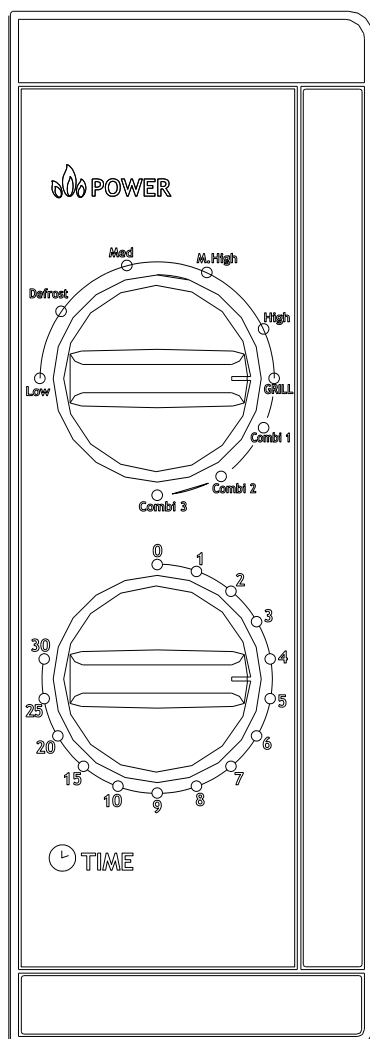
Utensile	Microonde	Grill	Combinato
Di vetro resistente al calore	Si	Si	Si
Di vetro non resistente al calore	No	No	No
Di ceramica resistente al calore	Si	Si	Si
Piatto di plastica apposito per microonde	Si	No	No
Carta da forno	Si	No	No
Vassoio di metallo	No	Si	No
Ripiano in metallo	No	Si	No
Rotolo di alluminio	No	Si	No

NOMI DELLE PARTI



10. sistema di sicurezza
11. sportello
12. piatto di supporto
13. asse
14. pannello di controllo
15. ventilazione
16. piatto di vetro
17. grill caldo
18. supporto in metallo

PANNELLO DI CONTROLLO



IL PANNELLO DI CONTROLLO SI OCCUPA DI DUE FUNZIONI: 1) "POWER" CHE CORRISPONDE ALLA POTENZA DI COTTURA; 2) CORRISPONDE AL TIMER.

TIMER IL TIMER È UTILIZZATO PER SELEZIONARE IL TEMPO DI COTTURA E PER SPEGNERE IL DISPOSITIVO.

PER SELEZIONARE IL TEMPO DI COTTURA, RUOTARE LA MANOPOLA VERSO DESTRA. IL TEMPO DI COTTURA MASSIMO È DI 30 MINUTI

.COTTURA

CI SONO CINQUE LIVELLI DI POTENZA PER LA COTTURA. È IMPORTANTE SCEGLIERE LA POTENZA IN BASE AL CIBO CHE SI CUCINA. PER AUMENTARE LA POTENZA RUOTARE LA MANOPOLA VERSO DESTRA.

I livelli di potenza possono essere classificati come riportato nella seguente tabella:

	POTENZA	DESCRIZIONE
1	18% DEL TOTALE	LOW (BASSA)
2	36	DEFROST (SCONGELARE)
3	58	MEDIUM (MEDIO)
4	81	M. HIGH (MEDIO-ALTO)
5	100	HIGH (ALTO)

GRILL

PER PASSARE ALLA MODALITÀ GRILL È NECESSARIO SCEGLIERE IL LIVELLO DI POTENZA PIÙ ALTO. LA FUNZIONE GRILL È IDEALE PER CUCINARE FETTINE SOTTILI DI CARNE, SALSICCE, POLLO, SPIEDINI E BISTECHE. È INOLTRE POSSIBILE UTILIZZARE IL GRILL PER PANINI CALDI O PER IL GRATIN.

"COMBI 1, 2 COMBI, COMBI 3" ADATTO PER COTTURA A MICROONDE COMBINATO forno e grill. La transazione viene classificata IN TRE LIVELLI CON SET diversa del potere Combinando la TABELLA SEGUENTE INDICA LE 3 diverse impostazioni:

PROGRAMMA	A MICROONDE	GRILL	CONVIENE AI CIBI SEGUENTE (ESEMPIO)
COMBI.1	30%	70%	FISH
COMBI.2	49%	51%	OMELETTES
COMBI.3	67%	33%	POLLAME

PULIZIA E MANUTENZIONE

NOTA: Una volta impostato il tempo di cottura sul timer, il forno inizierà la cottura. Quando il tempo selezionato è meno di 2 minuti, impostare il timer per 2 minuti. In seguito reimpostare l'ora corretta.

ATTENZIONE: RIMETTERE SEMPRE IL TIMER A ZERO QUANDO SI RIMUOVE IL CIBO PRIMA DEL TEMPO PRESTABILITO O QUANDO NON SI UTILIZZA IL FORNO.

PER FERMARE IL FORNO DURANTE LA COTTURA, È SUFFICIENTE APRIRE LO SPORTELLO.

1. Prima della pulizia, spegnere il forno e scollegare la spina dalla presa.
2. Mantenete il forno pulito. Quando il cibo o gli shizzi di liquidi si attaccano alle pareti del forno, pulirle con un panno umido. Se il forno è molto sporco molto, è possibile utilizzare un detergente delicato. Evitare l'uso di spray e altri prodotti aggressivi perché possono macchiare la superficie dello sportello.
3. Le superfici esterne devono essere pulite con un panno umido. Per evitare danni alle parti interne di funzionamento, l'acqua non deve attraversare la griglia interna.
4. Pulire regolarmente con un panno umido entrambi i lati dello sportello, le guarnizioni e le altre parti adiacenti.
5. Non lasciare che il pannello di controllo si bagni. Per precauzione, lasciare lo sportello del forno aperto, per evitare che il forno si avvii accidentalmente.
6. Se il vapore si accumula all'interno o intorno al forno, pulirlo con un panno morbido. Questo può accadere quando il forno è in funzione in condizioni di elevata umidità. Questo fenomeno è normale.
7. Occasionalmente è necessario rimuovere il piatto di vetro per pulirlo. Lavarlo con acqua saponata o in lavastoviglie.
8. L'anello di rotazione e la base del forno dovrebbero essere puliti regolarmente per evitare i disturbi eccessivi. Basta usare un panno con un detergente delicato. L'anello può essere pulito con acqua saponata o in lavastoviglie. Quando si rimuove l'anello per pulire la base, rimetterlo nella sua corretta posizione.
9. Per eliminare gli odori dal forno, mettere dell'acqua con un po' di succo di limone in un contenitore adatto per microonde e accendere il forno per 5 minuti. Dopodiché, pulire accuratamente il forno e asciugare con un panno morbido.
10. Quando è necessario cambiare la luce del forno, contattare il proprio rivenditore.

ATTENZIONE:

NON GETTARE QUESTO APPARECCHIO TRA I RIFIUTI DOMESTICI. PER QUESTO TIPO DI PRODOTTI È FORNITO DAI COMUNI UN SISTEMA DI RACCOLTA E RITIRO IN ZONA ED È QUINDI UN DOVERE INFORMARSI PER CONOSCERE IL GIUSTO SMISTAMENTO DEL RIFIUTO. INFATTI, I PRODOTTI ELETTRICI ED ELETTRONICI POSSONO CONTENERE SOSTANZE PERICOLOSE CHE HANNO EFFETTI DANNOSI SULL'AMBIENTE O SULLA NOSTRA SALUTE E QUINDI DEVONO ESSERE RICICLATI. IL SIMBOLO AL LATO INDICA CHE LE APPARECCHIATURE ELETTRICHE ED ELETTRONICHE FANNO PARTE DI UNA RACCOLTA SELETTIVA E DIFFERENZIATA (RAPPRESENTATA DA UN BIDONE SU DUE RUOTE SBARRATO DA UNA X).

FABBRICATO E IMPORTATO DA: ADEVA SAS 8 RUE MARC SEGUIN 77290 MITRY-MORY FRANCIA
WWW.ADEVA-IMPORT.COM - CONTACT@ADEVA-IMPORT.COM - TEL. 01 64 67 00 01

