

Select the classification that applies to the products you would like to offer with Fulfilment by Amazon:

Standard-Size-Media



Standard-Size

A packaged Unit with the following weight and dimensions:

- 12 kg or less
- 45 cm or less on its longest side
- 34 cm or less on its median side
- 26 cm or less on its shortest side

A Unit exceeding any of these measurements is Oversize.

Media

Includes the following categories:

- Books
- Music
- Video Games
- DVDs
- Software

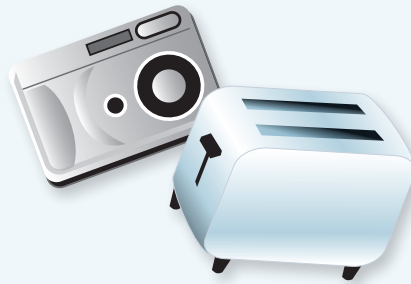
Applicable Fees

Fees are charged for

- Inventory Storage
- Order Fulfilment
- Optional Services (e.g. Label Service)
- Selling on Amazon*

*Selling on Amazon fees do not apply to Multi-Channel Fulfilment orders.

Standard-Size Non-Media



Standard-Size

A packaged Unit with the following weight and dimensions:

- 12 kg or less
- 45 cm or less on its longest side
- 34 cm or less on its median side
- 26 cm or less on its shortest side

A Unit exceeding any of these measurements is Oversize.

Non-Media

All product categories **excluding** the following:

- Books
- Music
- Video Games
- DVDs
- Software

Applicable Fees

Fees are charged for

- Inventory Storage
- Order Fulfilment
- Optional Services (e.g. Label Service)
- Selling on Amazon*

*Selling on Amazon fees do not apply to Multi-Channel Fulfilment orders.

Oversize Media & Non-Media



Oversize

A packaged Unit that exceeds any of the following measurements:

- 12 kg or
- 45 cm on its longest side or
- 34 cm on its median side or
- 26 cm on its shortest side or

A Unit exceeding any of these measurements is Oversize.

The FBA programme is not available for any items exceeding 30 kg in weight.

Media & Non-Media

All product categories apply.

Applicable Fees

Fees are charged for

- Inventory Storage
- Order Fulfilment
- Optional Services (e.g. Label Service)
- Selling on Amazon*

*Selling on Amazon fees do not apply to Multi-Channel Fulfilment orders.

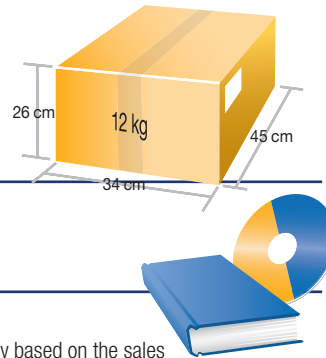
Fulfilment by Amazon Option for FBA Export to 10 or 26 EU Member States

For orders sold on Amazon.de and enabled for export to other EU countries, no additional fees are currently charged to the seller. Any fee change will be subject to at least 30 days notice.

This page shows Versand durch Amazon (Fulfilment by Amazon) fees for items that are:

Standard-Size: A packaged Unit that is 12 kg or less with its longest side 45 cm or less, its shortest side 26 cm or less, and its median side 34 cm or less. A Unit exceeding any of these dimensions is Oversize.

Media: Includes Books, Music, Video Games, DVDs, VHS and Blu-Rays, and Software



Fees are charged for Order Fulfilment, Inventory Storage, Optional Services, and [Verkaufen bei Amazon*](#).

*Verkaufen bei Amazon (Selling on Amazon) fees do not apply to Multi-Channel Fulfilment orders.

All fees are exclusive of VAT and other taxes which are payable by the merchant.

Order Fulfilment for Standard-Size Media

Versand durch Amazon can fulfil orders placed on Amazon.de, as well as on other sales channels. Fees vary based on the sales channel on which an order is placed. See Examples below. For fees for Export for Multi-Channel Fulfilment in the EU, please refer to page 6.

On Amazon.de Fulfilment		
For orders placed on Amazon.de, a fulfilment fee is charged that comprises Order Handling + Pick & Pack + Weight Handling		
Unit Price	less than €350	€350 and more
Order Handling per order ¹	€0.35	€0.00
Pick & Pack per Unit	€0.55	€0.00
Weight Handling per Unit	0–99 g	€0.00
	100–499 g	€0.00
	500–999 g	€0.25
	1 kg–1.99 kg	€1.80
	2 kg–4.99 kg	€2.30
	5 kg–9.99 kg	€2.80
	10 kg–12 kg	€5.80

Multi-Channel Fulfilment			
For orders placed through other sales channels than Amazon, a fulfilment fee is charged that comprises Pick & Pack + Weight Handling			
Shipping Method		Standard	Premium
Pick & Pack per Unit		€0.70	€0.70
Weight Handling per total weight of an order plus 10%	Envelope ²	€0.85	€6.00
	0–99 g	€1.30	€6.00
	100–499 g	€1.70	€6.00
	500–999 g	€1.95	€6.00
	1 kg–1.99 kg	€2.35	€6.00
	2 kg–4.99 kg	€2.50	€12.90
	5 kg–9.99 kg	€4.00	€12.90
10 kg–12 kg	€7.00	€16.90	

¹ An order is a customer order. For shipments with mixed unit types (Standard-Size Media, Standard-Size Non-Media, Oversize), use the highest applicable fee.

² Weight Handling fees for envelopes only apply for Multi-Channel Fulfilment orders that do not exceed any of the following dimensions: 35 cm long x 25 cm wide x 2 cm high, weight 199 g or less.

Inventory Storage

Storage fees are charged for all Units stored in an Amazon fulfilment centre based on calendar month and your daily average volume (measured in cubic metre). The cubic metre of any Unit will be based on the Unit's size as properly packaged and ready for shipment to customers in accordance with the FBA Programme Policies. Amazon will be entitled to make its own measurement of the cubic metre or weight of any packaged Unit or representative sample thereof and in the event of any conflict between such measurement and information provided by Seller, Amazon's measurement will govern.

A semi-annual Long-Term Storage Fee of €1,000 per per cubic metre (= €1 per cubic decimetre) will be applied to any Units that have been stored in an Amazon fulfilment centre for one year or longer. The fee is in addition to the regular Inventory Storage Fee and will not be charged if a request has been made to remove or dispose of the Units prior to the fee being charged. Each seller may maintain a single Unit of each ASIN in its inventory, which will be exempted from the annual Long-Term Storage Fee. Please review our online [Frequently Asked Questions](#) for more information.

³ The cubic metre of any Unit will be based on the Unit's size as properly packaged and ready for shipment to customers in accordance with the FBA Programme Policies. Amazon will be entitled to make its own measurement of the cubic metre or weight of any packaged Unit or representative sample thereof and in the event of any conflict between such measurement and information provided by the Seller, Amazon's measurement will govern.

Inventory Storage	
January – September	€12.50 per cubic metre ³ and month
October – December	€18.00 per cubic metre ³ and month

Optional Services

Service	Description	Rate/Unit
Removal	You may request to have your inventory returned to you at any time. The rate includes return shipment to an address in Germany.	€0.25
Disposal	You may request to have your inventory disposed of	€0.10
Label Service	Applying FBA item labels to products	€0.15

Examples: €23 Book

On Amazon.de Fulfilment		
Weight: 320 g		Dimensions: 22 x 14,2 x 3,8 cm
Storage: 1 month (Oct.)		Shipping Method: Standard
Fee	Calculation	Amount
Order Handling	1 Order x €0.35	€0.35
Pick & Pack	1 Unit x €0.55	€0.55
Weight Handling	Category 100–499 g	€0.00
Storage Fee	0.00118 m ³ x €18	€0.02
Total		€0.92

Multi-Channel Fulfilment		
Weight: 320 g		Dimensions: 22 x 14,2 x 3,8 cm
Storage: 1 month (Oct.)		Shipping Method: Standard
Order Handling	Calculation	Amount
Pick & Pack	1 Unit x €0.70	€0.70
Weight Handling	Category 100–499 g	€1.70
Storage Fee	0.00118 m ³ x €18	€0.02
Total		€2.42

Frequently Asked Questions

Q: What is Zero Fee Fulfilment?

A: Standard-Size Units that sell for €350 or more on Amazon.de are eligible for Zero Fee Fulfilment. You pay nothing for fulfilment fees, which include Order Handling, Pick & Pack, and Weight Handling. Other fees such as Inventory Storage, Optional Services, and Selling on Amazon fees still apply. Multi-Channel Fulfilment orders are not eligible for Zero Fee Fulfilment. Learn more about [Zero Fee Fulfilment](#).

Q: Am I restricted on the types of products I can fulfil through FBA?

A: Yes. Please consult the [FBA Programme Policies](#) for detailed information about product restrictions. The maximum weight for any single Unit to be fulfilled by Amazon is 30 kg.

Q: What is FBA's policy for customer returns and inventory that is lost or damaged?

A: We maintain high standards when it comes to taking care of your inventory. However, occasionally accidents do happen. Learn more FBA's [Lost and Damaged Inventory Reimbursement Policy](#).

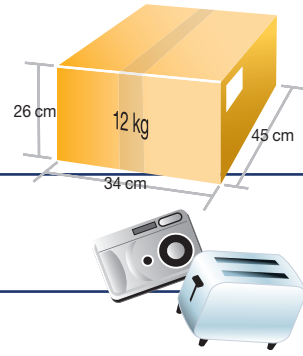
Q: Do I still pay Selling on Amazon fees?

A: Selling on Amazon Fees only apply to orders placed on Amazon.de and not for Multi-Channel Fulfilment orders. For current selling plan features and prices, please visit [Selling on Amazon Fees](#).

This page shows Versand durch Amazon (Fulfilment by Amazon) fees for items that are:

Standard-Size: A packaged Unit that is 12 kg or less with its longest side 45 cm or less, its shortest side 26 cm or less, and its median side 34 cm or less. A Unit exceeding any of these dimensions is Oversize.

Non-Media: Everything except Books, Music, Video Games, DVDs, VHS and Blu-Rays, and Software



Fees are charged for Order Fulfilment, Inventory Storage, Optional Services, and [Verkaufen bei Amazon*](#).

*Verkaufen bei Amazon (Selling on Amazon) fees do not apply to Multi-Channel Fulfilment orders.

All fees are exclusive of VAT and other taxes which are payable by the merchant.

Order Fulfilment for Standard-Size Non-Media

FBA can fulfil orders placed on Amazon.de as well as on other sales channels. Fees vary based on the sales channel on which an order is placed. See Examples below. For fees for Export for Multi-Channel Fulfilment in the EU, please refer to page 6.

On Amazon.de Fulfilment		
For orders placed on Amazon.de, a fulfilment fee is charged that comprises Order Handling + Pick & Pack + Weight Handling		
Unit Price	less than €350	€350 and more
Order Handling per order ¹	€1.00	€0.00
Pick & Pack per Unit	€0.70	€0.00
Weight Handling per Unit	0–99 g	€0.00
	100–499 g	€0.50
	500–999 g	€0.60
	1 kg–1.99 kg	€1.80
	2 kg–4.99 kg	€2.30
	5 kg–9.99 kg	€3.30
	10 kg–12 kg	€6.30

Multi-Channel Fulfilment		
For orders placed through other sales channels than Amazon, a fulfilment fee is charged that comprises Pick & Pack + Weight Handling		
Shipping Method	Standard	Expedited
Pick & Pack per Unit	€1.50	€1.50
Weight Handling per total weight of an order plus 10%	Envelope ²	€0.85
	0–99 g	€1.30
	100–499 g	€1.70
	500–999 g	€1.95
	1 kg–1.99 kg	€2.35
	2 kg–4.99 kg	€2.50
	5 kg–9.99 kg	€4.00
10 kg–12 kg	€7.00	

¹ An order is a customer order. For shipments with mixed unit types (Standard-Size Media, Standard-Size Non-Media, Oversize), use the highest applicable fee.

² Weight Handling fees for envelopes only apply for Multi-Channel Fulfilment orders that do not exceed any of the following dimensions: 35 cm long x 25 cm wide x 2 cm high, weight 199 g or less.

Inventory Storage

Storage fees are charged for all Units stored in an Amazon fulfilment centre based on calendar month and your daily average volume (measured in cubic metre). The cubic metre of any Unit will be based on the Unit's size as properly packaged and ready for shipment to customers in accordance with the FBA Programme Policies. Amazon will be entitled to make its own measurement of the cubic metre or weight of any packaged Unit or representative sample thereof and in the event of any conflict between such measurement and information provided by Seller, Amazon's measurement will govern.

A semi-annual Long-Term Storage Fee of €1,000 per per cubic metre (= €1 per cubic decimetre) will be applied to any Units that have been stored in an Amazon fulfilment centre for one year or longer. The fee is in addition to the regular Inventory Storage Fee and will not be charged if a request has been made to remove or dispose of the Units prior to the fee being charged. Each seller may maintain a single Unit of each ASIN in its inventory, which will be exempted from the annual Long-Term Storage Fee. Please review our online [Frequently Asked Questions](#) for more information.

³ The cubic metre of any Unit will be based on the Unit's size as properly packaged and ready for shipment to customers in accordance with the FBA Programme Policies. Amazon will be entitled to make its own measurement of the cubic metre or weight of any packaged Unit or representative sample thereof and in the event of any conflict between such measurement and information provided by the Seller, Amazon's measurement will govern.

Inventory Storage	
January – September	€12.50 per cubic metre ³ and month
October – December	€18.00 per cubic metre ³ and month

Optional Services

Service	Description	Rate/Unit
Removal	You may request to have your inventory returned to you at any time. The rate includes return shipment to an address in Germany.	€0.25
Disposal	You may request to have your inventory disposed of	€0.10
Label Service	Applying FBA item labels to products	€0.15

Examples: €150 Digital Camera

On Amazon.de Fulfilment		
Weight: 800 g		Dimensions: 20 x 16 x 18 cm
Storage: 1 month (Oct.)		Selling Price: €150
Fee	Calculation	Amount
Order Handling	1 Order x €1.00	€1.00
Pick & Pack	1 Unit x €0.70	€0.70
Weight Handling	Category 500–999 g	€0.60
Storage Fee	0.01 m ³ x €18	€0.10
Total		€2.40

Multi-Channel Fulfilment		
Weight: 800 g		Dimensions: 20 x 16 x 18 cm
Storage: 1 month (Oct.)		Shipping Method: Standard
Fee	Calculation	Amount
Pick & Pack	1 Unit x €1.50	€1.50
Weight Handling	Category 500–999 g	€1.95
Storage Fee	0.01 m ³ x €18	€0.10
Total		€3.55

Frequently Asked Questions

Q: What is Zero Fee Fulfilment?

A: Standard-Size Units that sell for €350 or more on Amazon.de are eligible for Zero Fee Fulfilment. You pay nothing for fulfilment fees, which include Order Handling, Pick & Pack, and Weight Handling. Other fees such as Inventory Storage, Optional Services, and Selling on Amazon fees still apply. Multi-Channel Fulfilment orders are not eligible for Zero Fee Fulfilment. Learn more about [Zero Fee Fulfilment](#).

Q: Am I restricted on the types of products I can fulfil through FBA?

A: Yes. Please consult the [FBA Programme Policies](#) for detailed information about product restrictions. The maximum weight for any single Unit to be fulfilled by Amazon is 30 kgs.

Q: What is FBA's policy for customer returns and inventory that is lost or damaged?

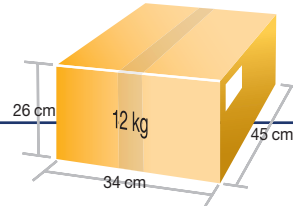
A: We maintain high standards when it comes to taking care of your inventory. However, occasionally accidents do happen. Learn more FBA's [Lost and Damaged Inventory Reimbursement Policy](#).

Q: Do I still pay Selling on Amazon fees?

A: Selling on Amazon Fees only apply to orders placed on Amazon.com.uk and not for Multi-Channel Fulfilment orders. For current selling plan features and prices, please visit [Selling on Amazon Fees](#).

This page shows Versand durch Amazon (Fulfilment by Amazon) fees for items that are:

Oversize: A packaged Unit that is more than 12 kg or its longest side is more than 45 cm, its shortest side is more than 26 cm, or its median side more than 34 cm.
A Unit exceeding any of these dimensions is Oversize.



Fees are charged for Order Fulfilment, Inventory Storage, Optional Services, and [Verkaufen bei Amazon*](#).

*Verkaufen bei Amazon (Selling on Amazon) fees do not apply to Multi-Channel Fulfilment orders.

All fees are exclusive of VAT and other taxes which are payable by the merchant.

Order Fulfilment for Oversize Media and Non-Media

Versand durch Amazon can fulfil orders placed on Amazon.de, as well as on other sales channels. Fees vary based on the sales channel on which an order is placed. Zero Fee Fulfilment isn't available for Oversize Units. See Examples below. For fees for Export for Multi-Channel Fulfilment in the EU, please refer to page 6.



On Amazon.de Fulfilment		
For orders placed on Amazon.de, a fulfilment fee is charged that comprises Order Handling + Pick & Pack + Weight Handling		
Order Handling per order ¹	€1.35	
Pick & Pack per Unit	€3.00	
Weight Handling per Unit	0–99 g	€0.00
	100–499 g	€0.50
	500–999 g	€0.60
	1 kg–1.99 kg	€1.80
	2 kg–4.99 kg	€2.30
	5 kg–9.99 kg	€3.30
	10 kg–19.99 kg	€6.30
20 kg–30 kg	€12.80	

Multi-Channel Fulfilment		
For orders placed through other sales channels than Amazon, a fulfilment fee is charged that comprises Pick & Pack + Weight Handling		
Shipping Method	Standard	Expedited
Pick & Pack per Unit	€3.50	3,50 €
Weight Handling per total weight of an order plus 10%	0–99 g	€1.30
	100–499 g	€1.70
	500–999 g	€1.95
	1 kg–1.99 kg	€2.35
	2 kg–4.99 kg	€2.50
	5 kg–9.99 kg	€4.00
	10 kg–19.99 kg	€7.00
20 kg–30 kg	€12.20	

¹ An order is a customer order or your request for inventory removal or disposal. For shipments with mixed unit types (Standard-Size Media, Standard-Size Non-Media, Oversize), use the highest applicable fee.

Inventory Storage

Storage fees are charged for all Units stored in an Amazon fulfilment centre based on calendar month and your daily average volume (measured in cubic metre). The cubic metre of any Unit will be based on the Unit's size as properly packaged and ready for shipment to customers in accordance with the FBA Programme Policies. Amazon will be entitled to make its own measurement of the cubic metre or weight of any packaged Unit or representative sample thereof and in the event of any conflict between such measurement and information provided by Seller, Amazon's measurement will govern.

A semi-annual Long-Term Storage Fee of €1,000 per per cubic metre (= €1 per cubic decimetre) will be applied to any Units that have been stored in an Amazon fulfilment centre for one year or longer. The fee is in addition to the regular Inventory Storage Fee and will not be charged if a request has been made to remove or dispose of the Units prior to the fee being charged. Each seller may maintain a single Unit of each ASIN in its inventory, which will be exempted from the annual Long-Term Storage Fee. Please review our online [Frequently Asked Questions](#) for more information.

³ The cubic metre of any Unit will be based on the Unit's size as properly packaged and ready for shipment to customers in accordance with the FBA Programme Policies. Amazon will be entitled to make its own measurement of the cubic metre or weight of any packaged Unit or representative sample thereof and in the event of any conflict between such measurement and information provided by the Seller, Amazon's measurement will govern.

Inventory Storage	
January – September	€12.50 per cubic metre ³ and month
October – December	€18.00 per cubic metre ³ and month

Optional Services

Service	Description	Rate/Unit
Removal	You may request to have your inventory returned to you at any time. The rate includes return shipment to an address in Germany.	€0.50
Disposal	You may request to have your inventory disposed of	€0.25
Label Service	Applying FBA item labels to products	€0.15

Examples: Golf Club Set €250

Amazon.de Fulfilment		
Weight: 13 kg Storage: 1 month (Oct.)	Dimensions: 100 x 30 x 30 cm Selling Price: €250	
Fee	Calculation	Amount
Order Handling	1 Order x €1.35	€1.35
Pick & Pack	1 Unit x €3.00	€3.00
Weight Handling	Category 10 kg–19.99 kg	€6.30
Storage Fee	0,09 m ³ x €18	€1.62
Total		€12.27

Multi-Channel Fulfilment		
Weight: 13 kg Storage: 1 month (Oct.)	Dimensions: 100 x 30 x 30 cm Shipping Method: Standard	
Fee	Calculation	Amount
Pick & Pack	1 Unit x €3.50	€3.50
Weight Handling	Category 10 kg–19.99 kg	€7.00
Storage Fee	0,09 m ³ x €18	€1.62
Total		€12.12

Frequently Asked Questions

Q: Are Oversize items eligible for Zero Fee Fulfilment?

A: No. Only Standard-Size Units that sold on Amazon.de for €350 or more are eligible for Zero Fee Fulfilment. Learn more about [Zero Fee Fulfilment](#).

Q: Am I restricted on the types of products I can fulfil through FBA?

A: Yes. Please consult the [FBA Programme Policies](#) for detailed information about product restrictions. The maximum weight for any single Unit to be fulfilled by Amazon is 30 kg.

Q: What is FBA's policy for customer returns and inventory that is lost or damaged?

A: We maintain high standards when it comes to taking care of your inventory. However, occasionally accidents do happen. Learn more FBA's [Lost and Damaged Inventory Reimbursement Policy](#).

Q: Do I still pay Selling on Amazon fees?

A: Selling on Amazon Fees only apply to orders placed on Amazon.de and not for Multi-Channel Fulfilment orders. For current selling plan features and prices, please visit [Selling on Amazon Fees](#).

Versand durch Amazon Fees Germany – European Fulfilment Network Service

With Amazon's European Fulfilment Network (EFN), sellers who are registered for Fulfilment by Amazon in the UK, France and/or Italy can ship their products to Amazon Fulfilment Centres in the UK and/or France. If they so configure their account, these products are subsequently made available and delivered directly to customers purchasing on Amazon.de. There is a small additional flat fee for items delivered to customers outside the home marketplace. This page covers the additional EFN fee which is on top of the standard Fulfilment by Amazon fees for Germany covered in the previous pages of this rate card.

EFN fees for articles sold on Amazon.de

All fees are exclusive of VAT and other taxes which are payable by the merchant.

Country, from which product is being fulfilled	UK	France
Media	€2.00	€2.70
Non-Media	€2.60	€5.90
Oversize Media & Non-Media	€3.30	€5.60

Important: Sellers who are registered for Fulfilment by Amazon with inventory stored in a fulfilment centre in Germany can make these products available for sale for customers purchasing on Amazon.co.uk, Amazon.fr and Amazon.it. For the respective Fulfilment by Amazon and EFN flat fees for these services, please refer to the specific rate cards for each of these countries on the respective country websites, i.e. services.amazon.co.uk, services.amazon.fr and services.amazon.it. The rate card is also available in English.

The local selling on Amazon fees will apply from the market the order originated from and will be on top of the fulfilment and EFN fees eg if an item is sold on Amazon.de then the German selling on Amazon fees will apply. The Selling on Amazon fees can be found on the respective country websites.

The examples below are a guide in evaluating FBA only. Amazon does not warrant the accuracy of the calculations.

Media – €23 book ordered on Amazon.de and fulfilled from a fulfilment centre in France



On Amazon.de Fulfilment		
Weight: 320 g	Dimensions: 22 x 14.2 x 3.8 cm	
Storage: 1 month (Oct.)	Shipping Method: Standard	
Fee	Calculation	Amount
Order Handling	1 order x €0.35	€0.35
Pick & Pack	1 Unit x €0.55	€0.55
Weight Handling	Category 100–499 g	€0.00
Storage Fee	0.00118 m ³ x €18	€0.02
EFN fee		€2.70
Total		€3.62

Non Media – €150 digital camera ordered on Amazon.de and fulfilled from a fulfilment centre in the UK



On Amazon.de Fulfilment		
Weight: 800 g	Dimensions: 20 x 16 x 18 cm	
Storage: 1 month (Oct.)	Selling Price: €150	
Fee	Calculation	Amount
Order Handling	1 order x €1.00	€1.00
Pick & Pack	1 Unit x €0.70	€0.70
Weight Handling	Category 500–999 g	€0.60
Storage Fee	0.01 m ³ x €18	€0.10
EFN fee		€2.60
Total		€5.00

Oversize Media & Non-Media – €250 Golf Club Set ordered on amazon.co.uk and fulfilled from a fulfilment centre in the UK



On Amazon.de Fulfilment		
Weight: 13 kg	Dimensions: 100 x 30 x 30 cm	
Storage: 1 month (Oct.)	Selling Price: €250	
Fee	Calculation	Amount
Order Handling	1 order x €1.35	€1.35
Pick & Pack	1 Unit x €3.00	€3.00
Weight Handling	Category 10 kg–19.99 kg	€6.30
Storage Fee	0.09 m ³ x €18	€1.62
EFN fee		€3.30
Total		€15.57

For more details please consult our [FAQs](#).

Frequently Asked Questions

Q: Can I charge different prices for the same product on different marketplaces with my Amazon Europe Marketplaces Account?

A: Yes you can charge different prices for the same product in Germany, France, Italy and UK (which may include your EFN fees, which in the majority of cases are more attractive than local international postage fees). For each product you want to sell, you need to create and upload a localised listing to each marketplace.

Q: Am I obliged to use EFN to fulfil my international FBA orders?

A: No, if you have already registered or wish to register with a separate account to sell on and use FBA in another Amazon EU marketplace as a local seller you can do so. You will of course need to send inventory to Amazon fulfilment centres in the other EU Marketplaces you wish to sell in and manage separate inventory pools.

Q: When does it make sense to use the FBA Export to EU option and when EFN?

A: The FBA export to EU option is only for items purchased by customers on your Amazon home marketplace or other Amazon EU marketplaces you may have registered to sell from and requesting delivery to another EU country. With EFN you can also make your products available for sale on other Amazon EU marketplaces from one Seller Account with shipment originating from your local inventory pool.

Q: Will my EFN orders be eligible for fast track delivery options and Amazon Prime?

A: Only orders originating from your home marketplace will be eligible for fast track status. All orders will be eligible for Amazon Prime, regardless of marketplace.

Q: Are there any tax implications if I use EFN?

A: We advise you to check with your local tax advisor concerning tax implications and to comply accordingly.

Versand durch Amazon Fees Germany – Export for Multi-Channel Fulfilment in the EU

Multi-Channel Fulfilment fees cover delivery of orders placed through other sales channels such as a seller's own site, another third party platform, catalogue or even in-store sales. Sellers can choose to use their stock in Amazon's fulfilment centres to fulfil part or all of their orders originating from off Amazon channels. For fulfilment of Multi-Channel orders on a seller's home market place e.g. a German seller requesting delivery to an off Amazon customer within Germany, please refer to the pages 2, 3 and 4 of this rate card, and choose the appropriate category i.e. standard-size media, standard-size non-media and oversize media and non-media.

For orders fulfilled outside the home marketplace from Germany to another EU member state, the following Multi-channel fees will apply:

		Western Europe	Central Europe
Order Handling – Per Order		€6.50	€8.50
Pick & Pack – Per Unit	Standard-Size Media	€0.70	€0.70
	Standard Size Non-Media	€1.50	€1.50
	Oversize Media and Non-Media	€3.50	€3.50
Weight Handling* – Per 100 g	Up to 2.0 kg	€0.20	€0.80
	Above 2.0 kg	€0.05	€0.05

*Total shipment weight is calculated by adding a dunnage factor of 10% to the combined total of the individual unit weight in the shipment. Weight handling fees are rounded up to the nearest cent. Maximum permitted weight per unit = 30 kg.

Western Europe						Central Europe							
AT	Austria	FI	Finland	IE	Ireland	PT	Portugal	BG	Bulgaria	HU	Hungary	PL	Poland
BE	Belgium	FR	France	IT	Italy	SE	Sweden	CY	Cyprus	LV	Latvia	RO	Romania
DK	Denmark	GB	UK	LU	Luxembourg			CZ	Czech Republic	LT	Lithuania	SK	Slovakia
ES	Spain	GR	Greece	NL	Netherlands			EE	Estonia	MT	Malta	SI	Slovenia

For details of Export for Multi-Channel Fulfilment fees within the EU from inventory held in the UK, France or Italy please consult the relevant country rate cards.

The examples below are a guide in evaluating FBA only. Amazon does not warrant the accuracy of the calculations:

Standard-Size Media Examples: €23 Book

Multi-Channel Fulfilment – Western Europe		
Weight: 320 g Dimensions: 22 x 14,2 x 3,8 cm Storage: 1 month (Oct.)		
Fee	Calculation	Amount
Order Handling	1 Order x €6.50 €	€6.50
Pick & Pack	1 Unit x €0.70	€0.70
Weight Handling	352 g x €0.20 per 100 g	€0.71
Storage Fee	0.00118 m ³ x €18 €	€0.02
Total		€7.93

Multi-Channel Fulfilment – Central Europe		
Weight: 320 g Dimensions: 22 x 14,2 x 3,8 cm Storage: 1 month (Oct.)		
Fee	Calculation	Amount
Order Handling	1 Order x €8.50 €	€8.50
Pick & Pack	1 Unit x €0.70	€0.70
Weight Handling	352 g x €0.80 per 100 g	€2.82
Storage Fee	0.00118 m ³ x €18	€0.02
Total		€12.04

Standard-Size Non-Media Examples: €150 Digital Camera

Multi-Channel Fulfilment – Western Europe		
Weight: 800 g Dimensions: 20 x 16 x 18 cm Storage: 1 month (Oct.)		
Fee	Calculation	Amount
Order Handling	1 Order x €6.50 €	€6.50
Pick & Pack	1 Unit x €1.50	€1.50
Weight Handling	880 g x €0.20 per 100 g	€1.76
Storage Fee	0.00576 m ³ x €18	€0.10
Total		€9.86

Multi-Channel Fulfilment – Central Europe		
Weight: 800 g Dimensions: 20 x 16 x 18 cm Storage: 1 month (Oct.)		
Fee	Calculation	Amount
Order Handling	1 Order x €8.50	€8.50
Pick & Pack	1 Unit x €1.50	€1.50
Weight Handling	880 g x €0.80 per 100 g	€7.04
Storage Fee	0.00576 m ³ x €18	€0.10
Total		€17.14

Oversize Media & Non-Media Examples: €250 Golf Club Set

Multi-Channel Fulfilment – Western Europe		
Weight: 13 kg Dimensions: 100 x 30 x 30 cm Storage: 1 month (Oct.)		
Fee	Calculation	Amount
Order Handling	1 Order x €6.50 €	€6.50
Pick & Pack	1 Unit x €3.50	€3.50
Weight Handling	14.3 kg x €0.20 per 100 g up to 2.0 kg + €0.05 per 100 g above 2.0 kg	€10.15
Storage Fee	0.09 m ³ x €18	€1.62
Total		€21.77

Multi-Channel Fulfilment – Central Europe		
Weight: 13 kg Dimensions: 100 x 30 x 30 cm Storage: 1 month (Oct.)		
Fee	Calculation	Amount
Order Handling	1 Order x 8.50 € €	€8.50
Pick & Pack	1 Unit x 3.50 €	€3.50
Weight Handling	14.3 kg x €0.80 per 100 g up to 2.0 kg + €0.05 per 100 g above 2.0 kg	€22.15
Storage Fee	0.09 m ³ x €18	€1.62
Total		€35.77

Häufig gestellte Fragen

Q: Can I add all or part of the Export for Multi-Channel fees in the EU to my selling price?

A: Yes you can do this and even make a differentiation yourself between Western and Central Europe tariffs.

Q: Am I restricted on the types of products I can fulfil through FBA and Export for Multi-Channel Fulfilment?

A: Yes. Please consult the [FBA Programme Policies](#) for detailed information about product restrictions. The maximum weight for any single Unit to be fulfilled by Export for Multi-Channel is 30 kg.

Q: What is FBA's policy for customer returns and inventory that is lost or damaged?

A: We maintain high standards when it comes to taking care of your inventory. However, occasionally accidents do happen. Learn more about FBA's [Lost and Damaged Inventory Reimbursement Policy](#).

Q: Are there any additional fees when I use Export for Multi-Channel?

A: Yes. Fees for storage and optional services still apply. Please refer to the fees mentioned on pages 2, 3 and 4 of the rate card. However, Selling on Amazon Fees only apply to orders placed on Amazon.co.uk and not for Multi-Channel Fulfilment orders. For the current selling plan features and prices, please visit [Selling on Amazon Fees](#).

Q: Will my Export for Multi-Channel orders be eligible for fast track delivery options and Amazon Prime?

A: Only orders originating from your sales on Amazon and in your home marketplace will be eligible for fast track status and all on Amazon orders in the EU for Amazon Prime.

Q: Can I submit Export for Multi-Channel orders through MWS and Flatfile?

A: Yes you can.

Q: Are there any tax implications if I use Export for Multi-Channel?

A: We advise you to check with your local tax advisor concerning tax implications and to comply accordingly.