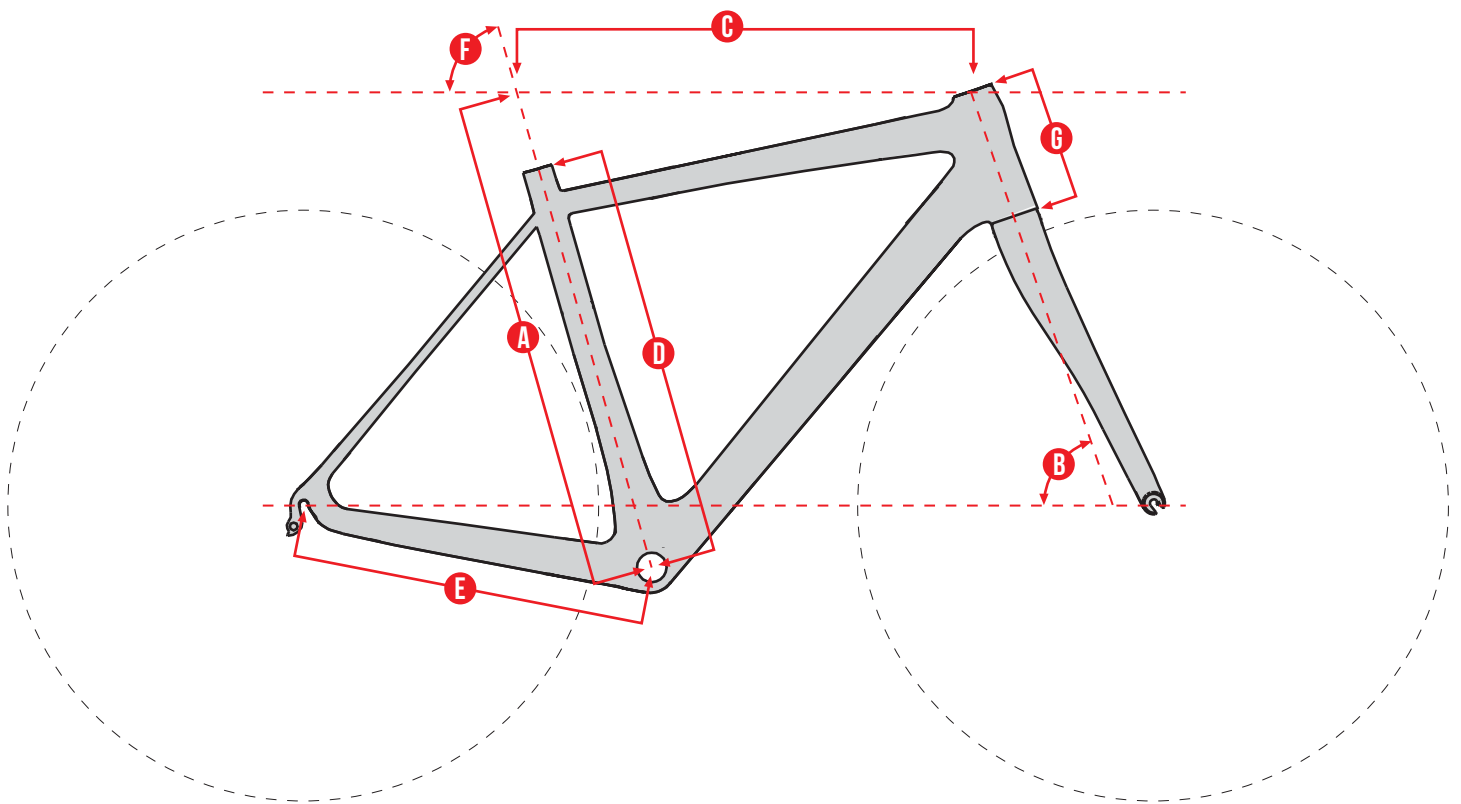




EASTWAY

FRAME GEOMETRY

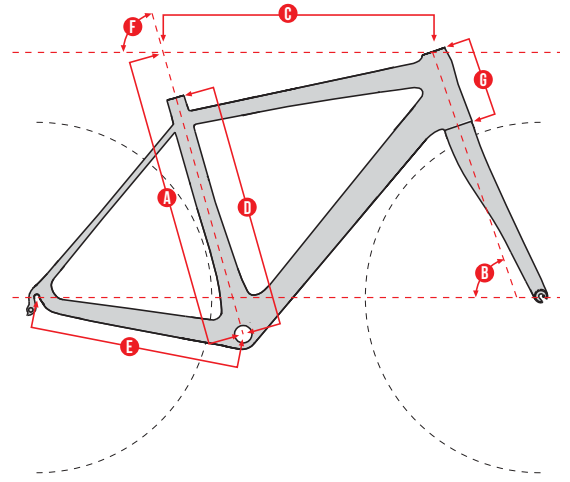


-
- A** - Frame Size (BB-ETT)
 - B** - Head Tube Angle
 - C** - Effective Top Tube Length
 - D** - Seat Tube Length (C-T)
 - E** - Chainstay Length
 - F** - Seat Tube Angle
 - G** - Head Tube Length



EASTWAY

FRAME GEOMETRY



- A** - Frame Size (BB-ETT)
- B** - Head Tube Angle
- C** - Effective Top Tube Length
- D** - Seat Tube Length (C-T)
- E** - Chainstay Length
- F** - Seat Tube Angle
- G** - Head Tube Length

RD 1.0 • R 1.0 • R 2.0

A	49/XS	52/S	54/M	56/L	58/XL
B	71°	71.5°	72.5°	72.5°	72.5°
C	510	525	545	565	580
D	440	475	500	520	545
E	405	405	410	410	410
F	74.5°	74°	73.5°	73°	73°
G	135	150	165	180	200

R 3.0 • R 4.0

A	52/XS	54/S	56/M	58/L	60/XL
B	72.5°	73°	73°	73°	73.5°
C	535	550	560	580	585
D	520	540	560	580	600
E	415	415	415	415	415
F	73.5°	73.5°	73.5°	73°	72.5°
G	135	150	165	185	200

FB 1.0 • FB 2.0 • FB 3.0 • FB 4.0

A	52/XS	54/S	56/M	58/L	60/XL
B	72°	72°	72.5°	72.5°	73°
C	575	585	595	605	615
D	520	540	560	580	600
E	427	427	427	430	430
F	72.5°	72.5°	72.5°	72.5°	72°
G	160	160	170	180	190

ST 1.0

A	52/XS	54/S	56/M	58/L	60/XL
B	71.5°	71.5°	71.5°	72°	72°
C	515	540	555	575	595
D	520	540	560	580	600
E	430	430	430	430	430
F	74°	74°	73.5°	73.5°	73°
G	120	130	150	170	200

CX 1.0

A	52/XS	54/S	56/M	58/L	60/XL
B	71.5°	72°	72°	72°	72°
C	520	535	545	560	575
D	490	520	540	560	580
E	425	425	425	425	425
F	75°	74.5°	73°	73°	73°
G	110	130	140	160	180

TR 1.0

A	52/XS	54/S	56/M	58/L	60/XL
B	73.5°	74°	74°	74°	74°
C	535	545	560	580	595
D	520	540	560	580	600
E	395	395	395	395	395
F	74.5°	74°	74°	73.5°	73.5°
G	130	150	170	190	210

CX 2.0

A	52/XS	54/S	56/M	58/L	60/XL
B	71°	71.5°	71.5°	72°	72°
C	520	535	555	570	585
D	520	540	560	580	600
E	425	425	425	425	425
F	74.3°	74°	73.5°	73°	72.3°
G	115	125	145	165	185