

Figure 1

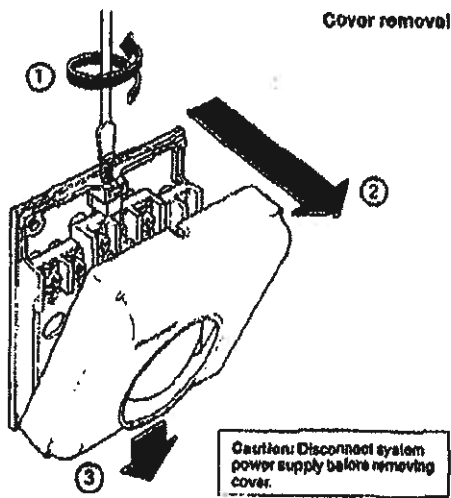
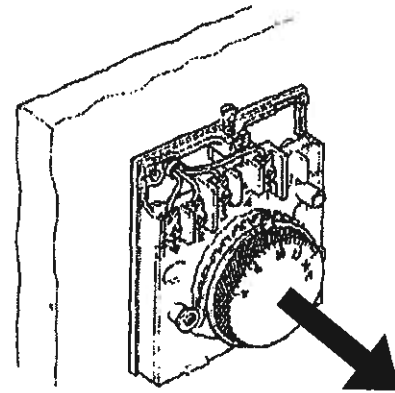
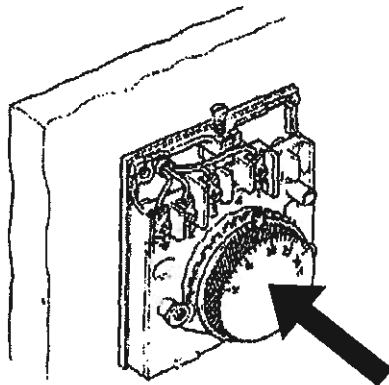


Figure 2



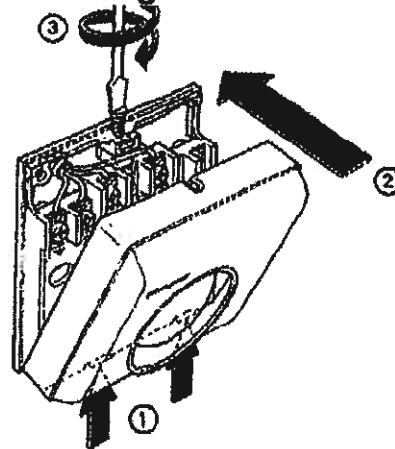
Pull Dial Off

Figure 3



Push Dial On

Figure 4



Replace Cover

How to re-calibrate your T6360 Room Thermostat

- 1) You will need a room thermometer to re-calibrate your T6360 room thermostat
- 2) Remove the front cover as figure 1. Caution: Disconnect system power first.
- 3) Remove the dial as figure 2. Turn the spindle up and down between the two clicks. This is the current temperature in the area.
- 4) Replace the dial as figure 3 so that the correct temperature is at 12 o'clock.
- 5) Replace cover as figure 4 your T6360B is re-calibrated.

Please note Honeywell products use mains voltages and should always be installed by a competent person under the guidelines of the 17th Edition wiring regulations. Please make sure the main supply is isolated before undertaking any work on the central heating control system.