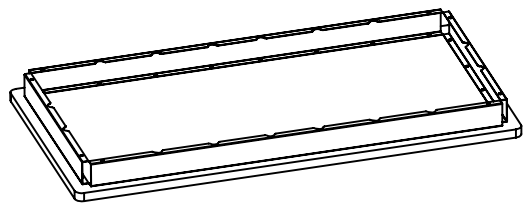


ASSEMBLY INSTRUCTIONS



A x 1



B x 4



C x 4



D x 4



E x 8

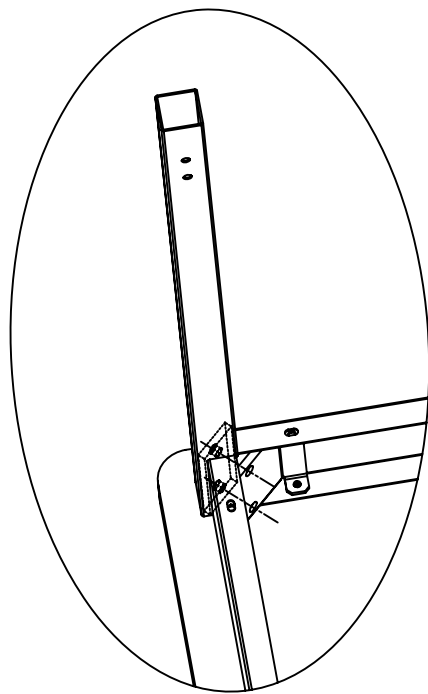
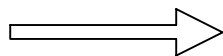
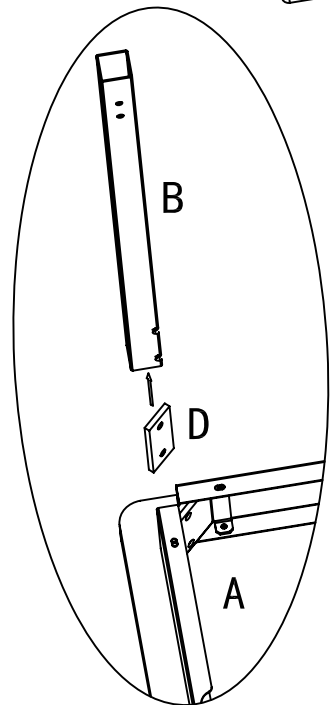
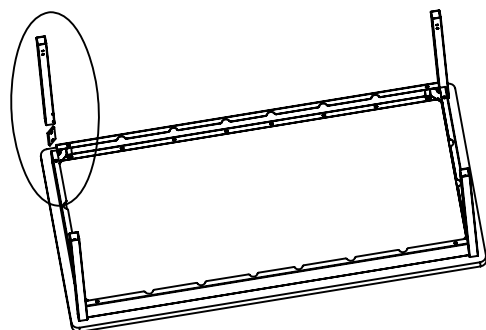


F x 8

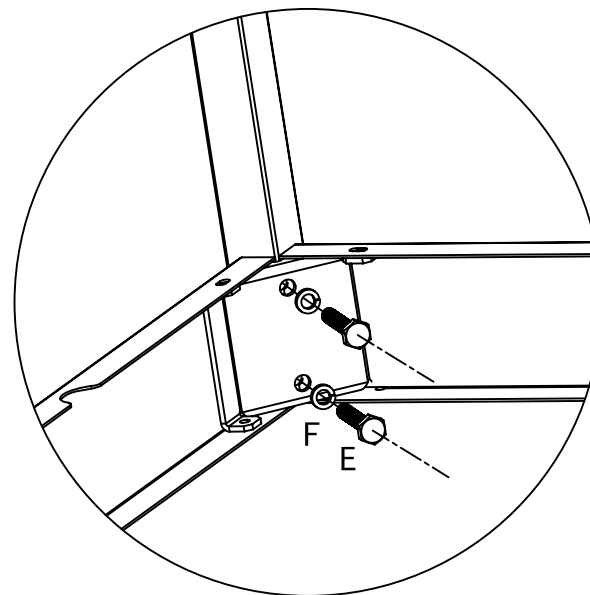
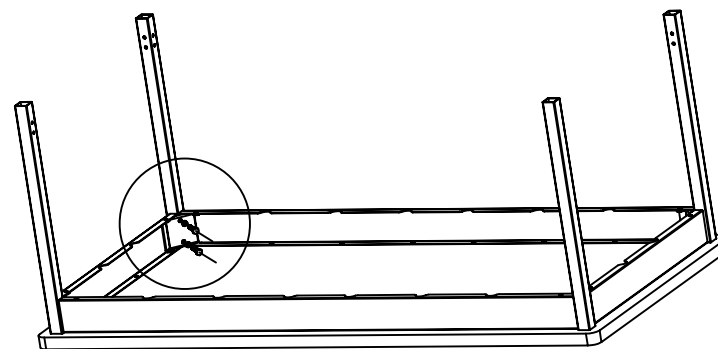


G x 8

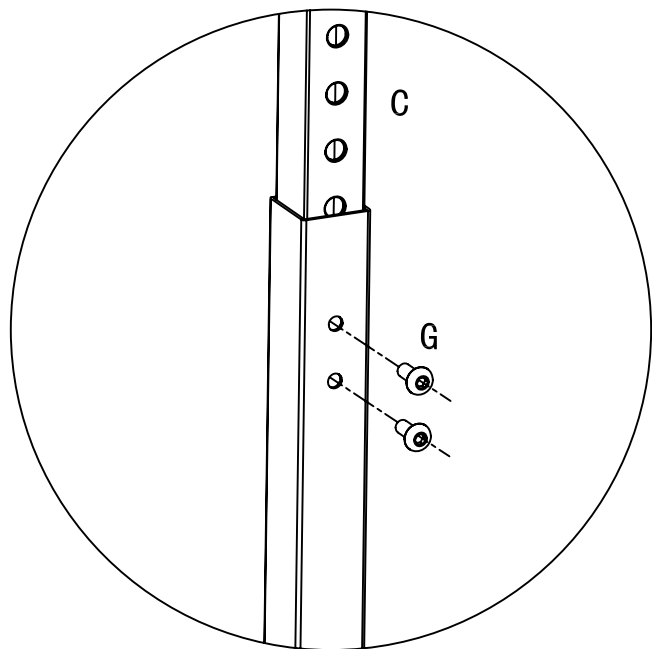
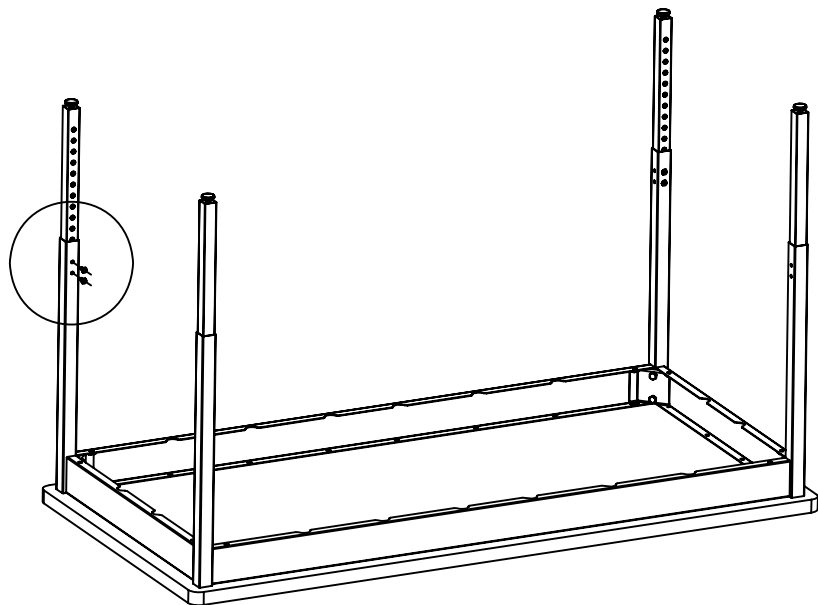
1



2



3



4

