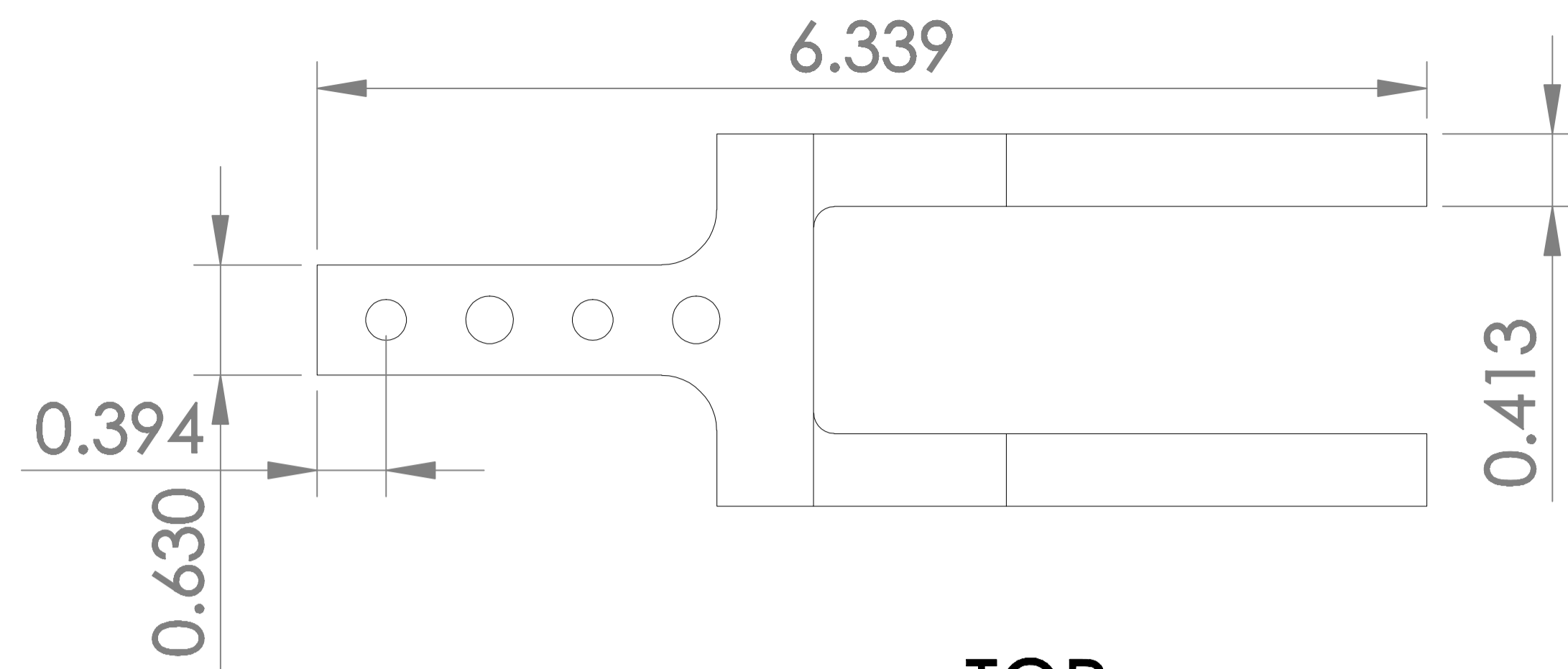
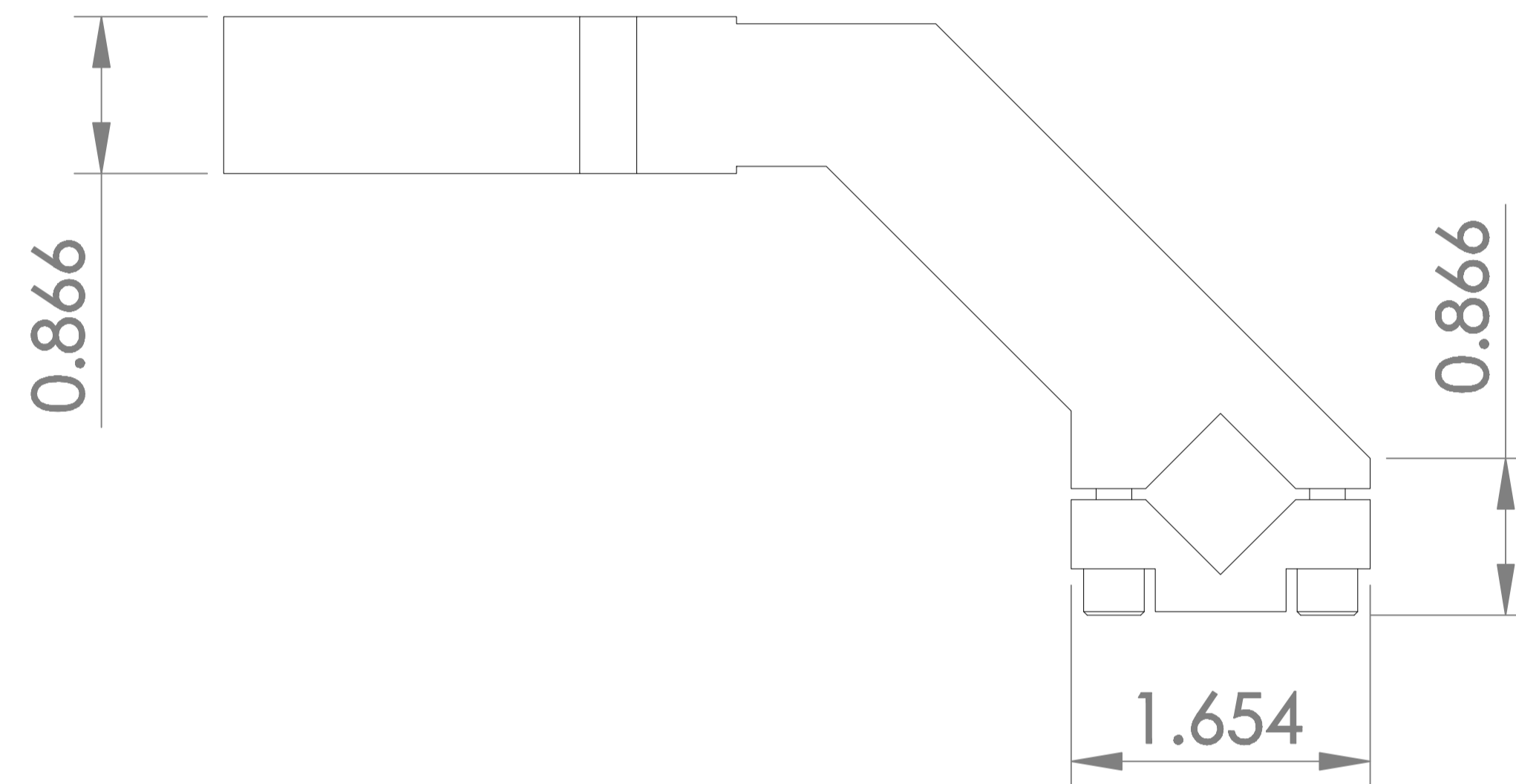


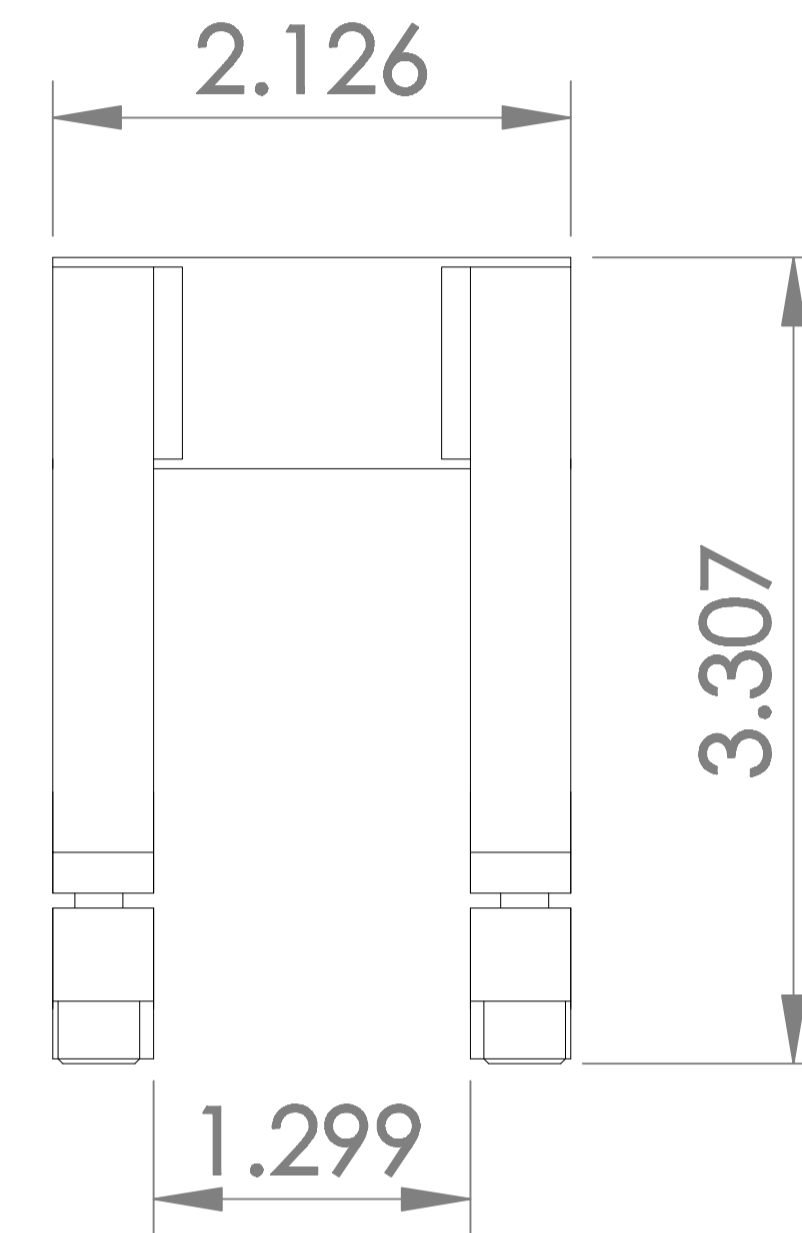
B005JGN1R4



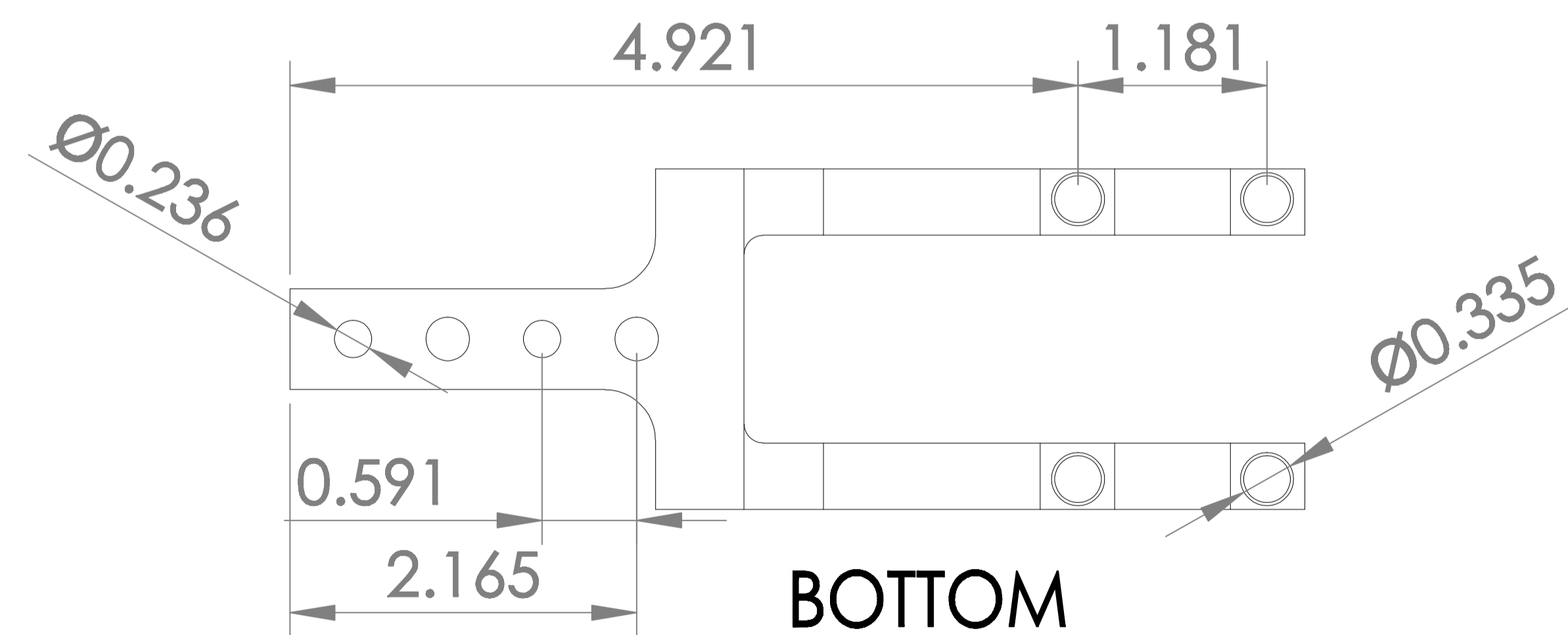
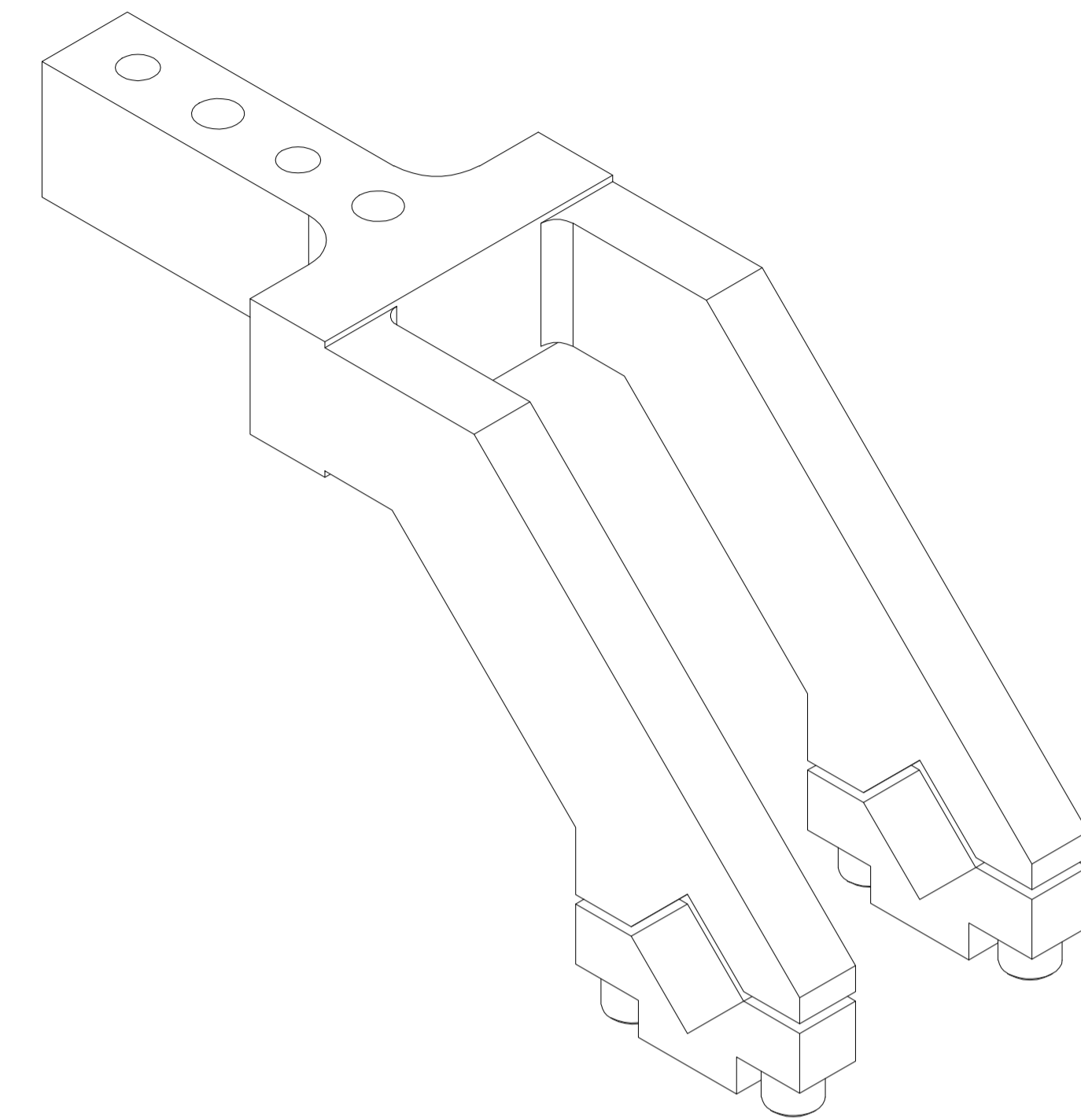
TOP



FRONT



RIGHT SIDE



BOTTOM

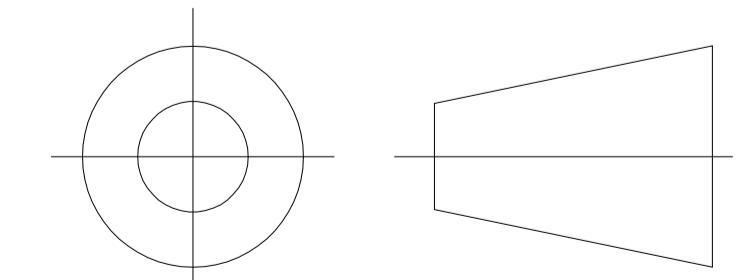
ITEM NAME:

SMC CKZT40-A045CS Power Clamp Air Cylinder Arm,
Offset 4540 mm Bore

ASIN :

B005JGN1R4

MATERIAL :



BRAND :

SMC

UNLESS OTHERWISE SPECIFIED
DIMENSIONS ARE IN INCHES

INFORMATION IN THIS DRAWING IS PROVIDED FOR
REFERENCE ONLY

<http://www.amazonsupply.com>
Amazon Supply, An Amazon Company

amazon supply